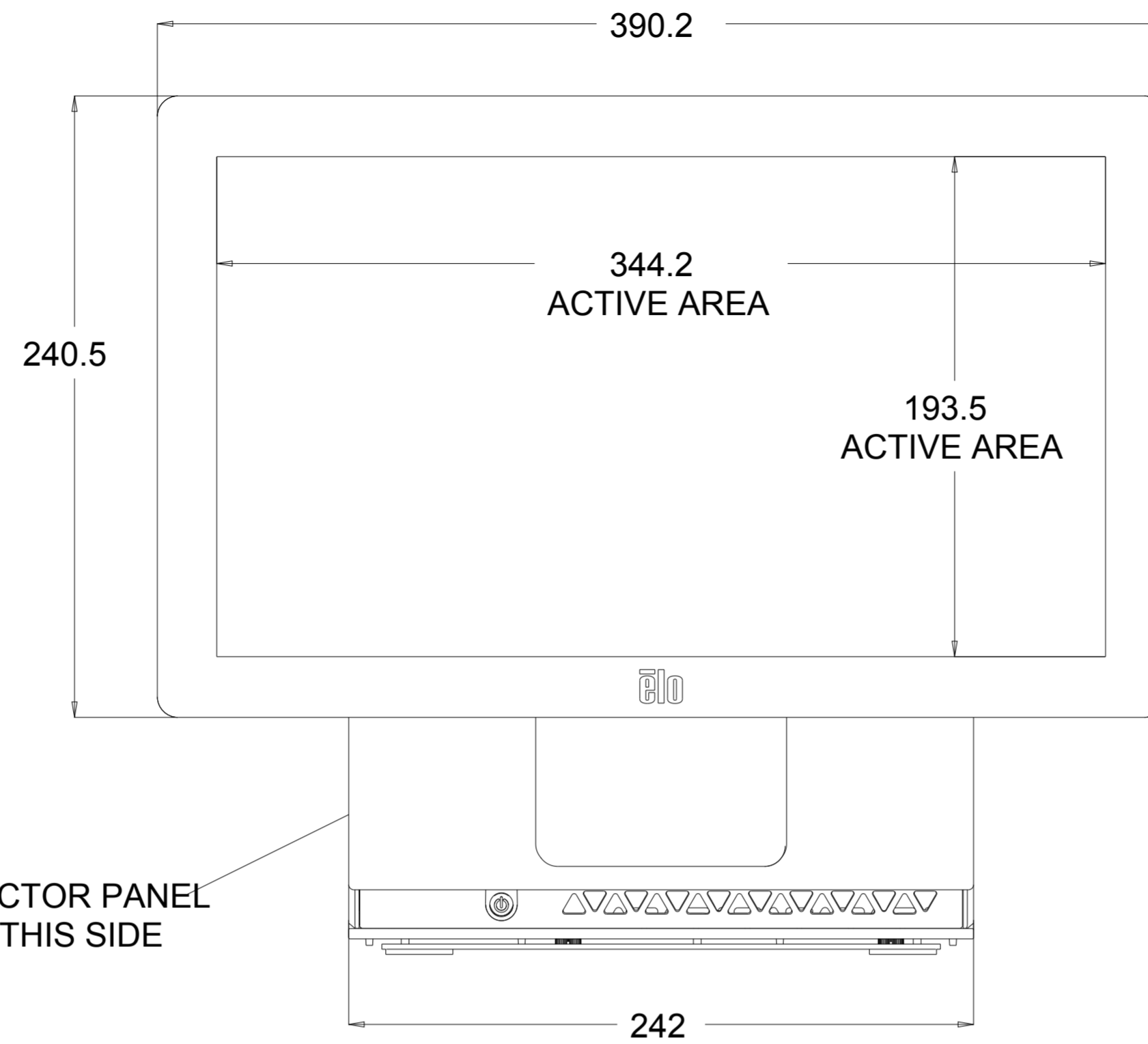
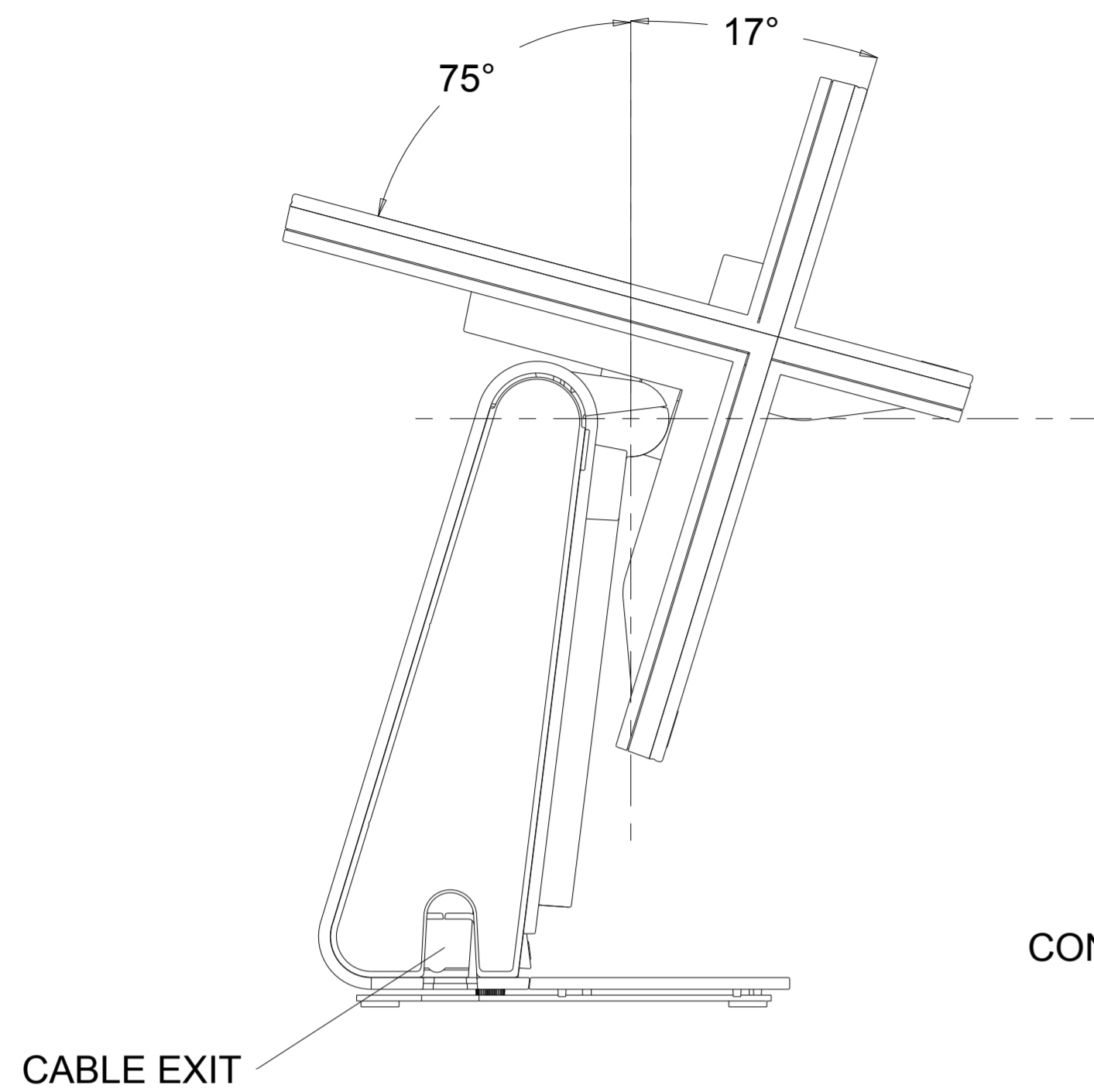
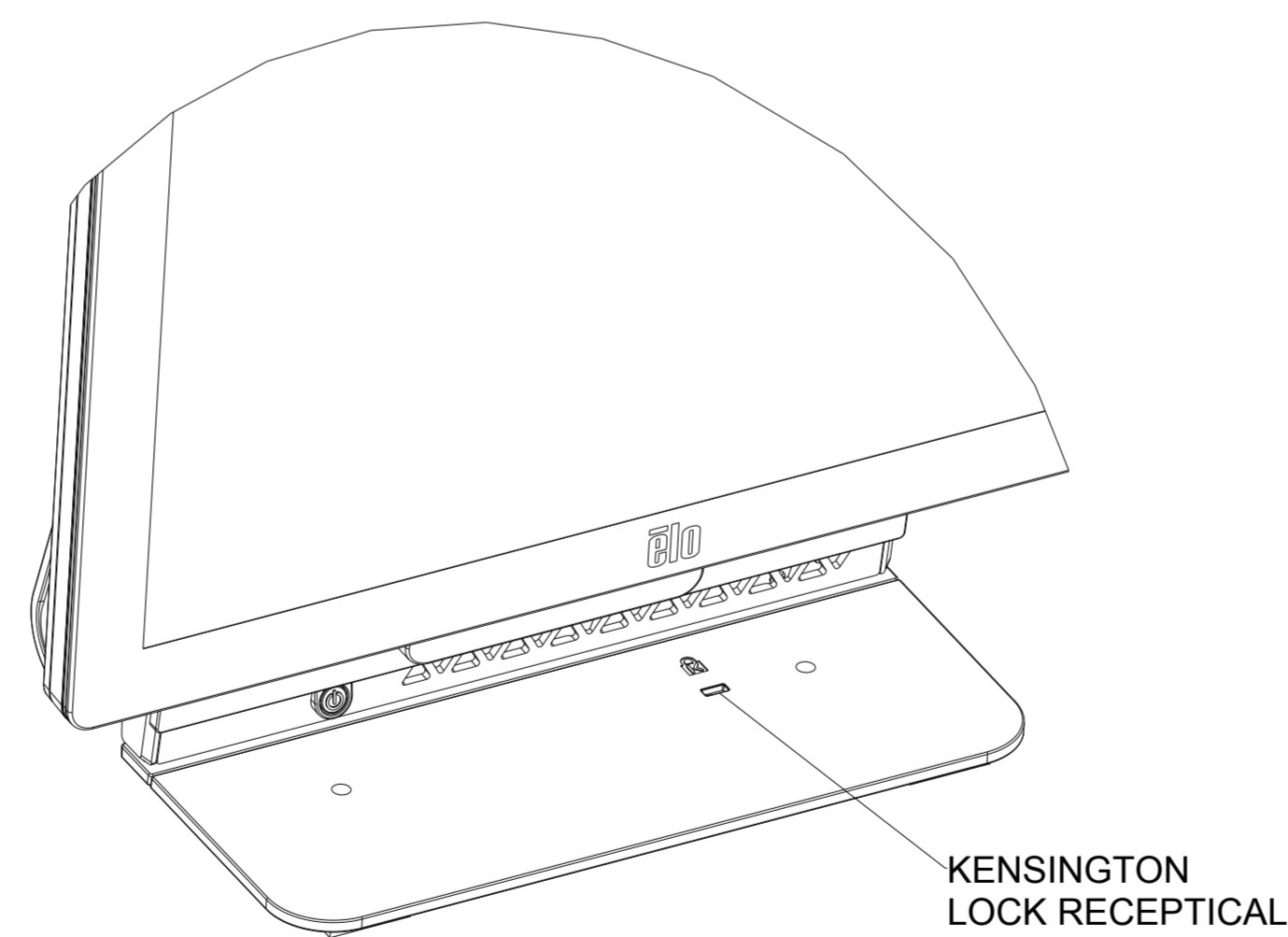
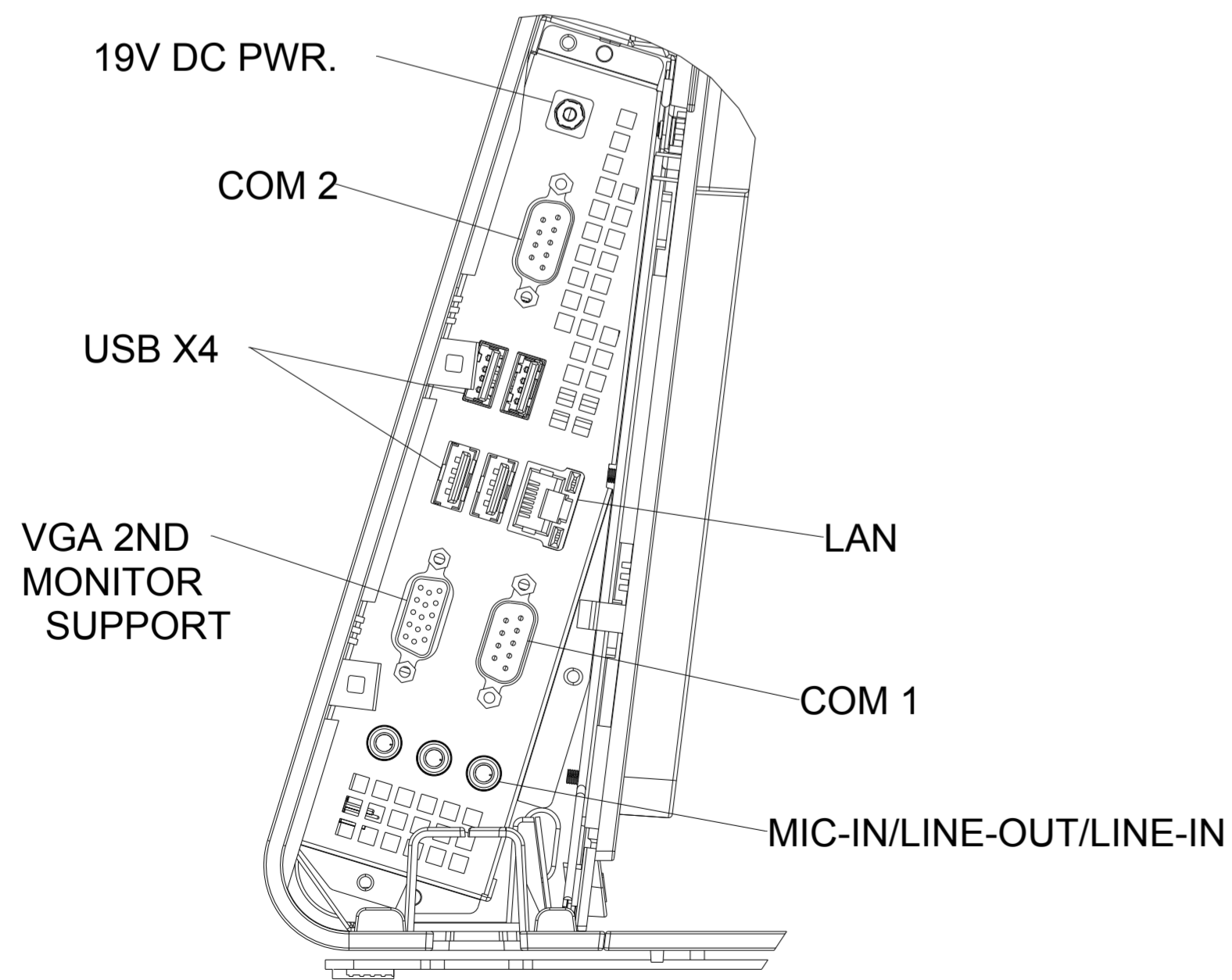
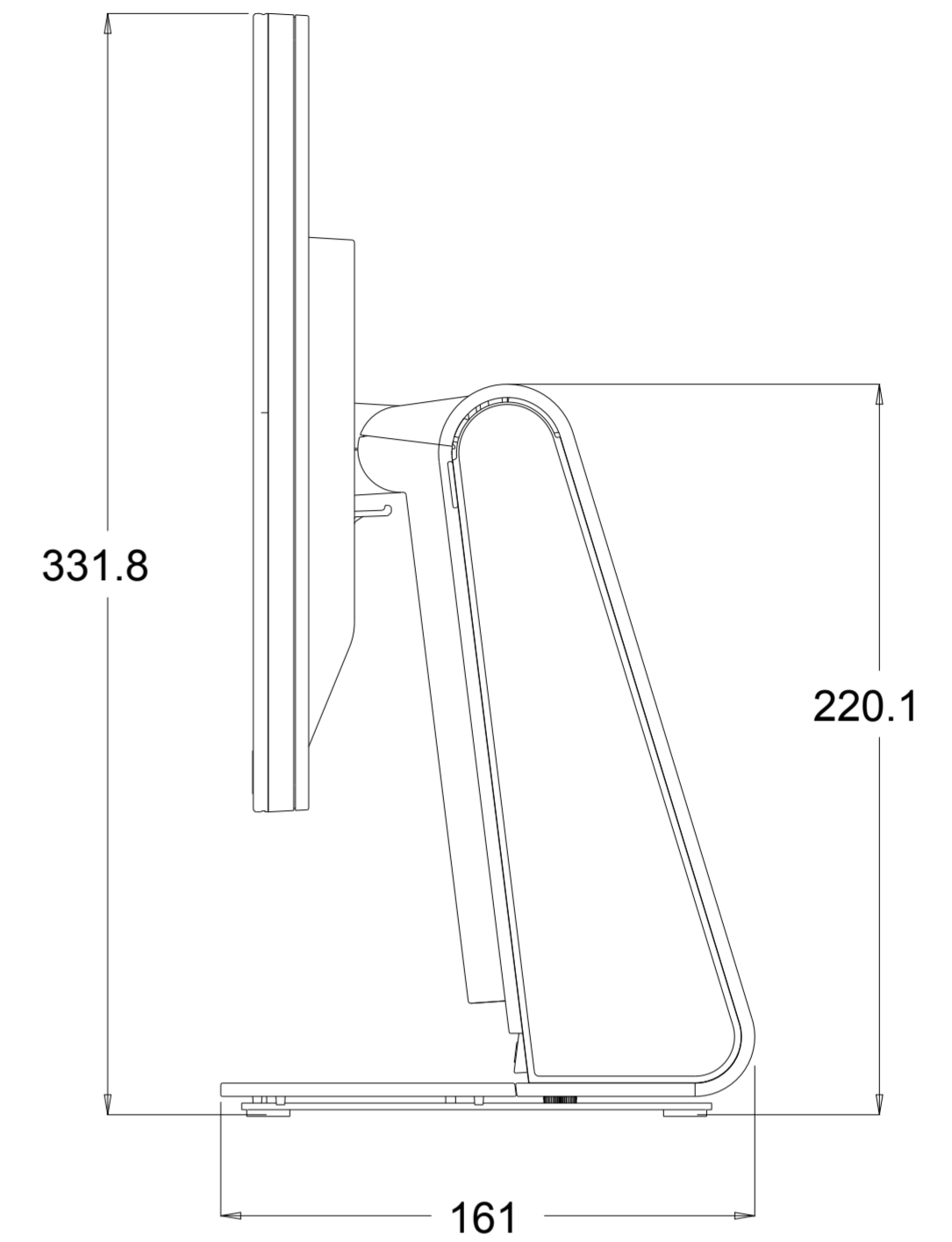


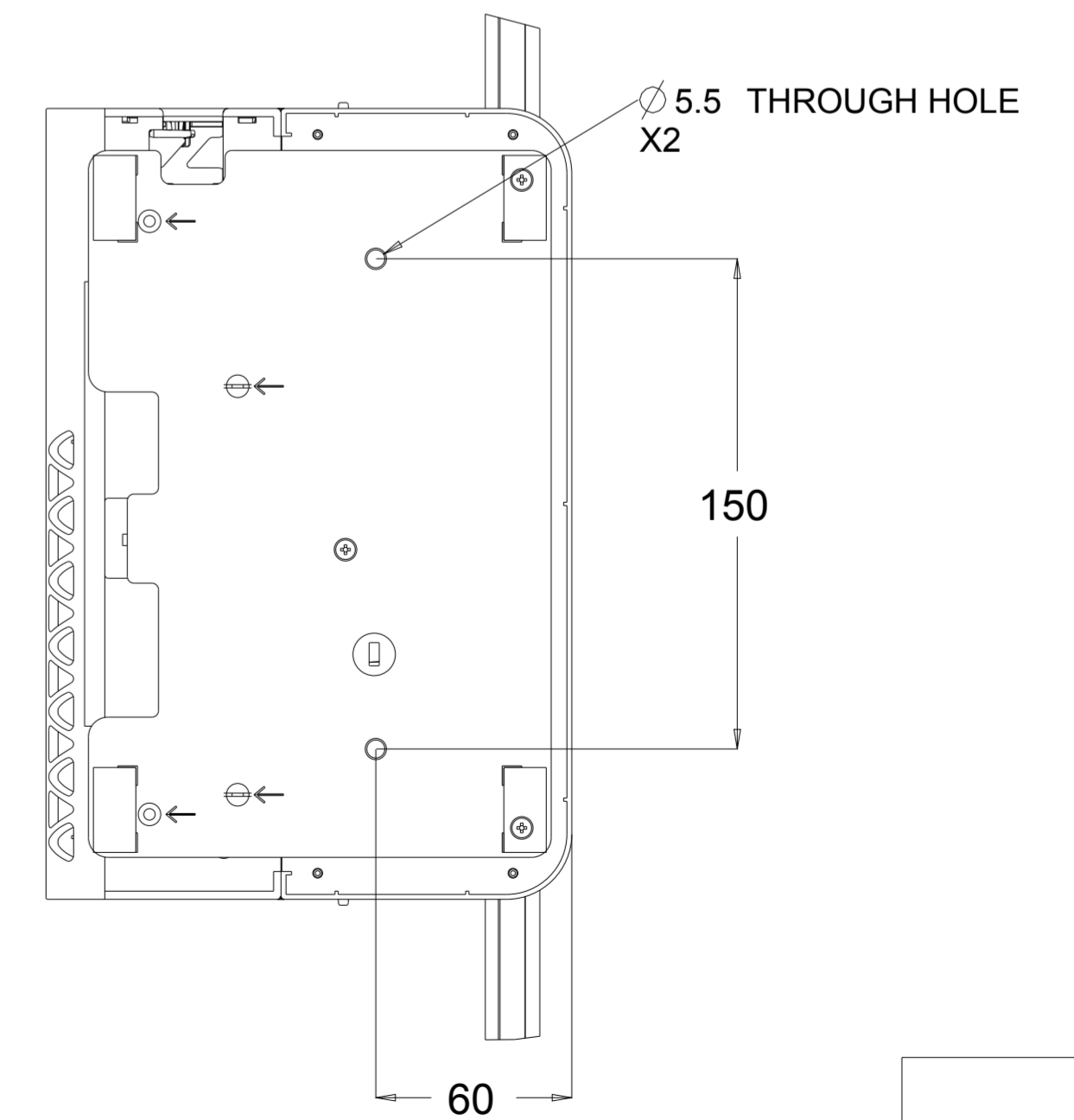
DIMENSIONAL DRAWING, E-SERIES REV-C



CONNECTOR PANEL THIS SIDE



MOUNTING HOLES AVAILABLE



DIMENSIONS ARE IN MILLIMETERS

SHEET 1 OF 4

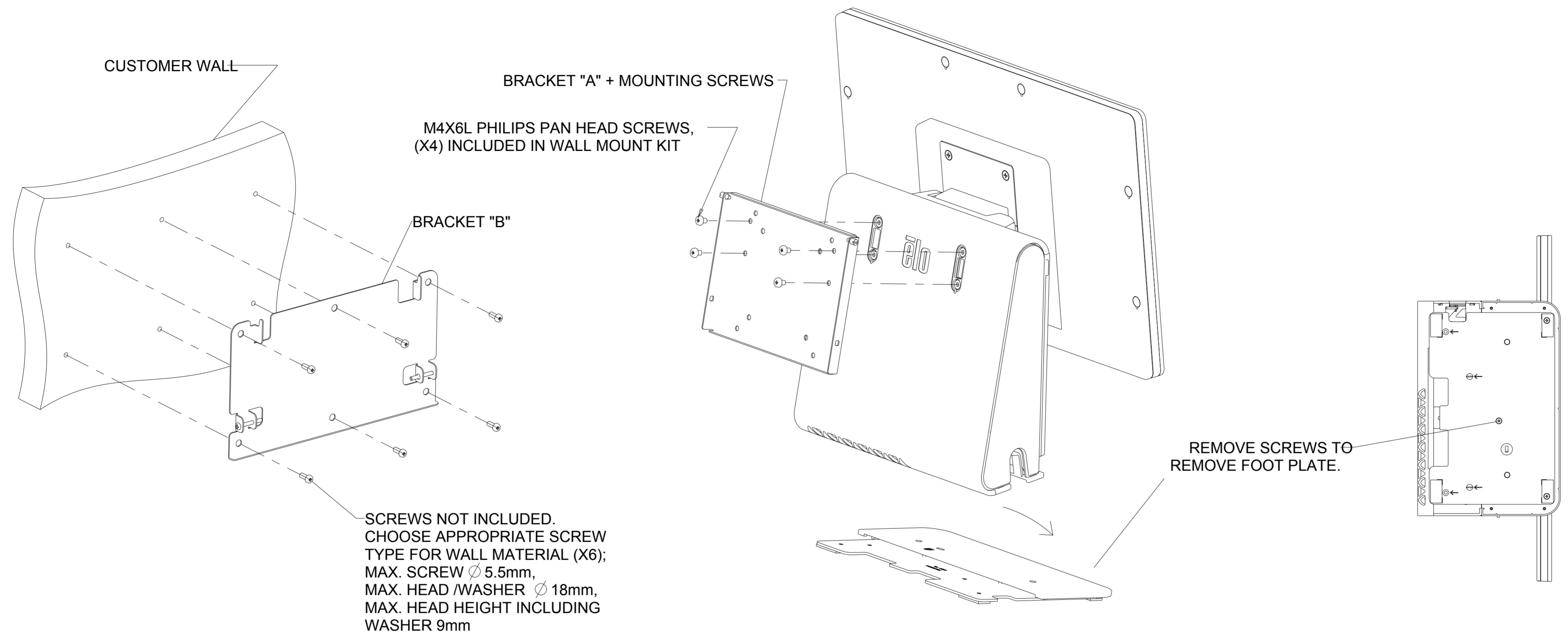
elo

MS601581

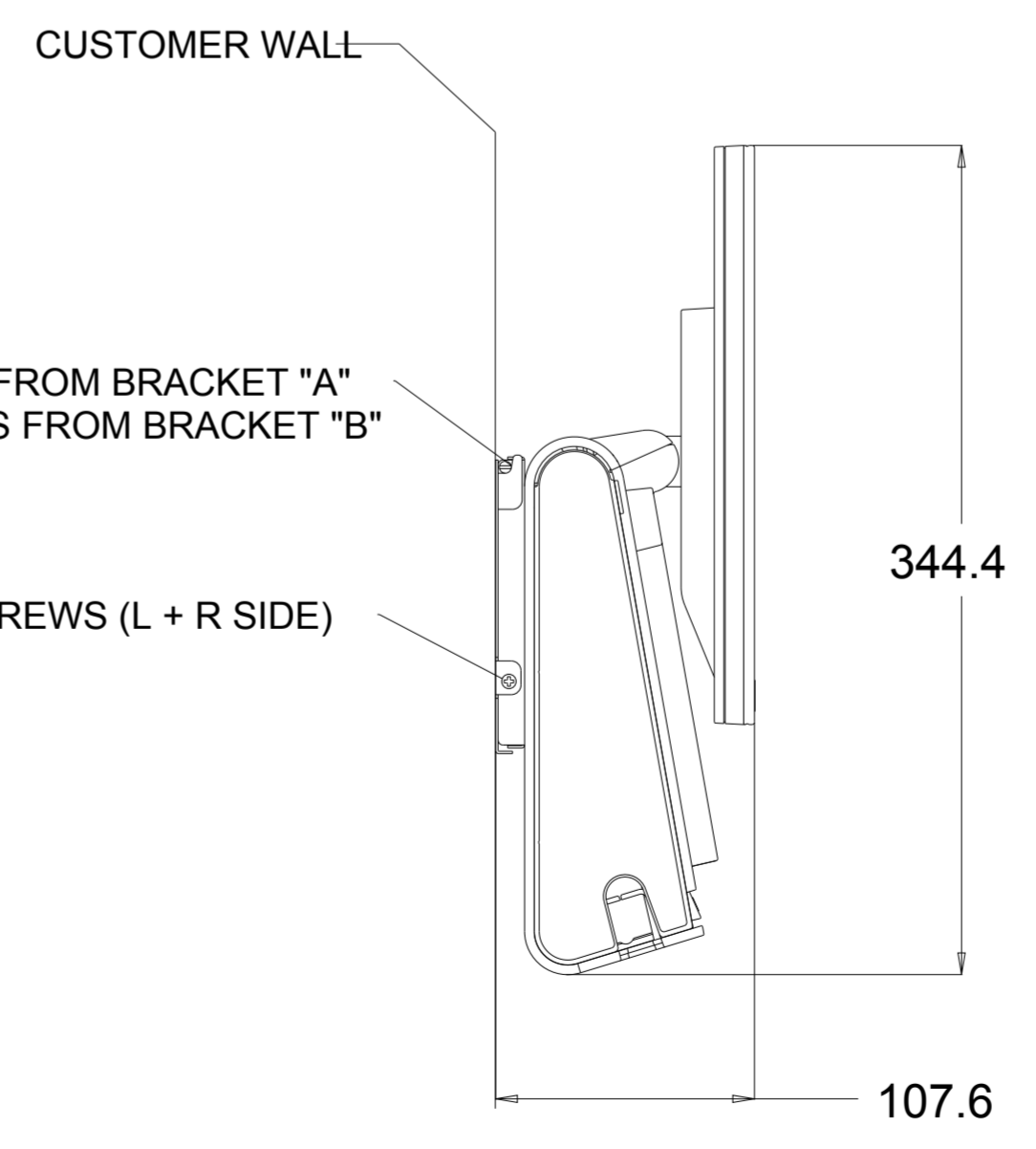
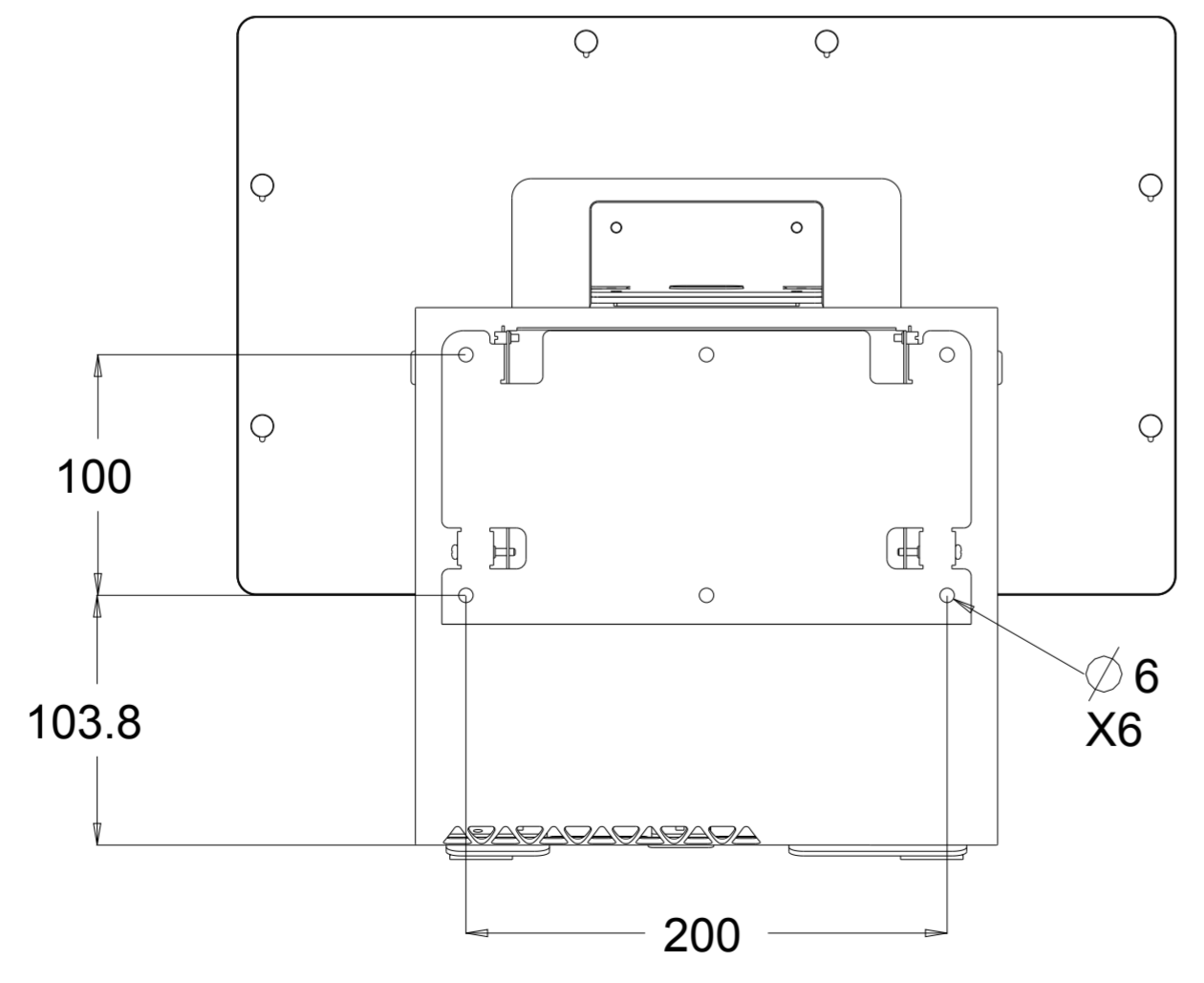
DATE: 07/27/15

REV: B

WALL MOUNT WITH OPTIONAL BRACKET ASSEMBLY

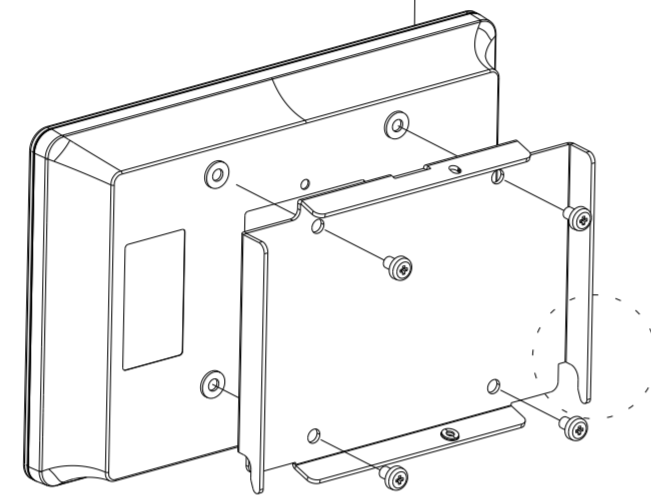


DIMENSIONS FROM BRACKET "B" TO COMPUTER WHEN MOUNTED TO WALL.

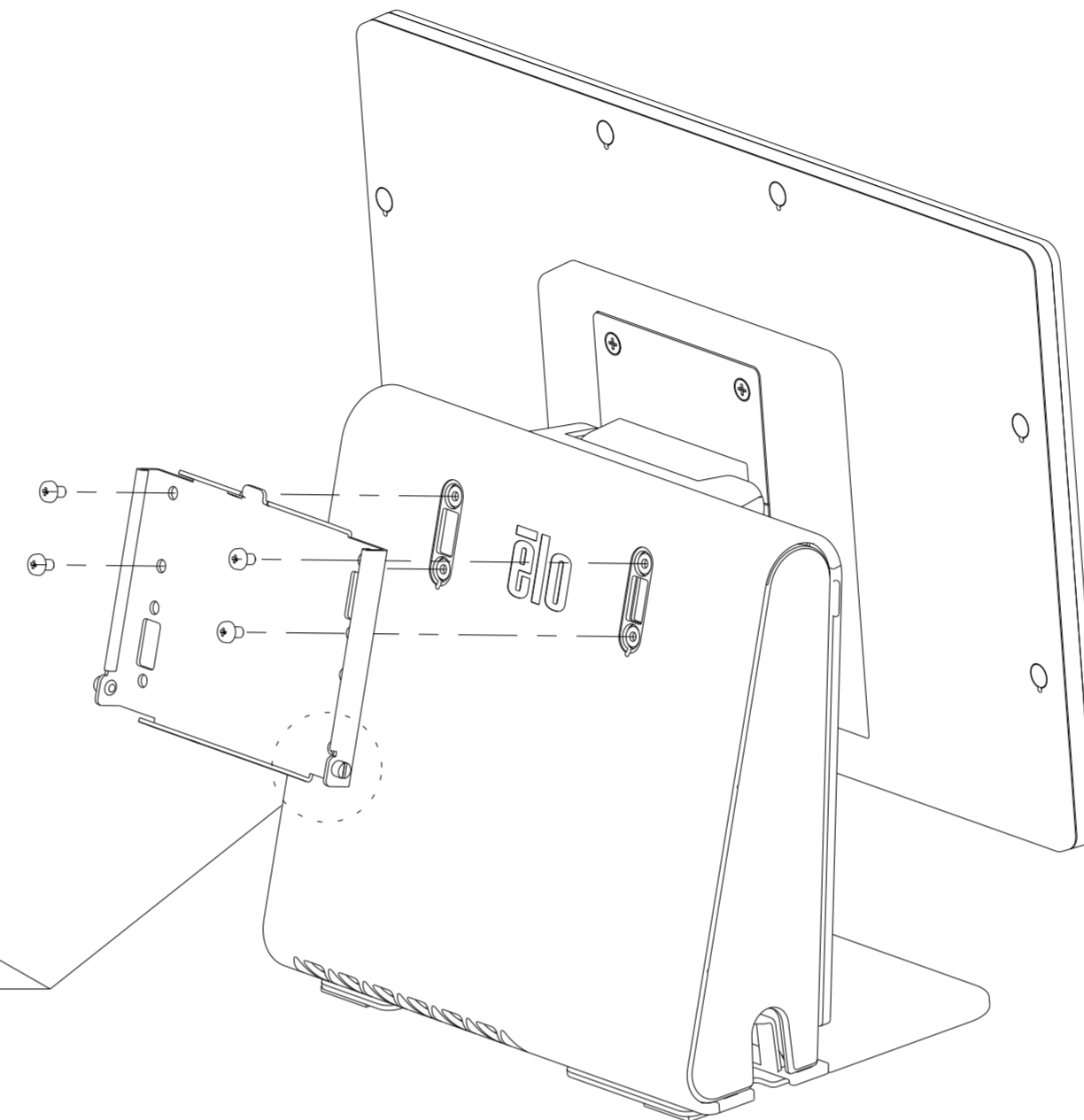


2ND MONITOR MOUNT WITH OPTIONAL BRACKET ASSEMBLY

OPTIONAL ET0700
MONITOR / TOUCH MONITOR
SHOWN AS REFERENCE

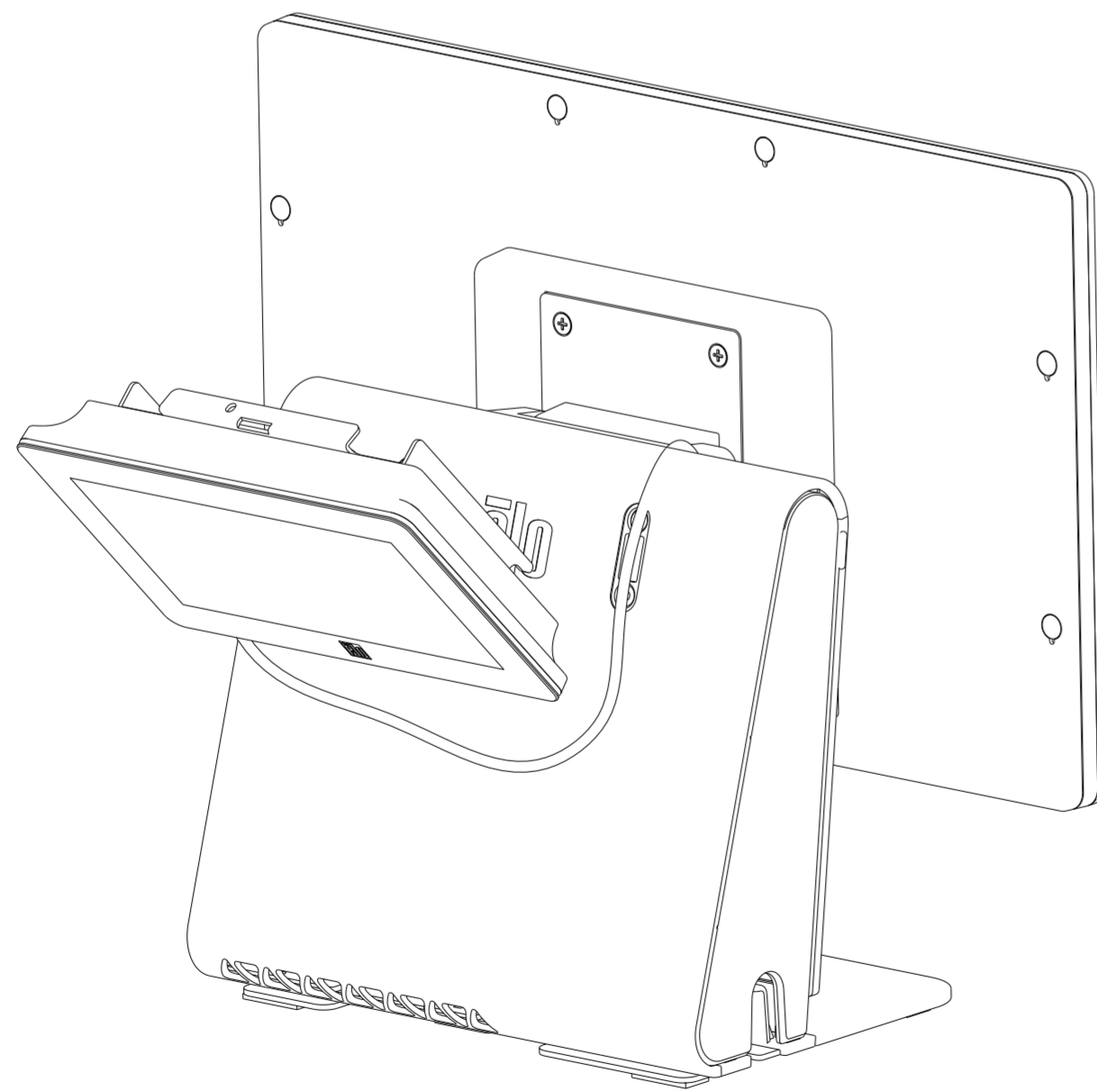


ATTACHED MOUNTING PLATE
(PLATE HAS 75X75mm VESA HOLE PATTERN)
TO MONITOR WITH (4)
M4 SCREWS PROVIDED



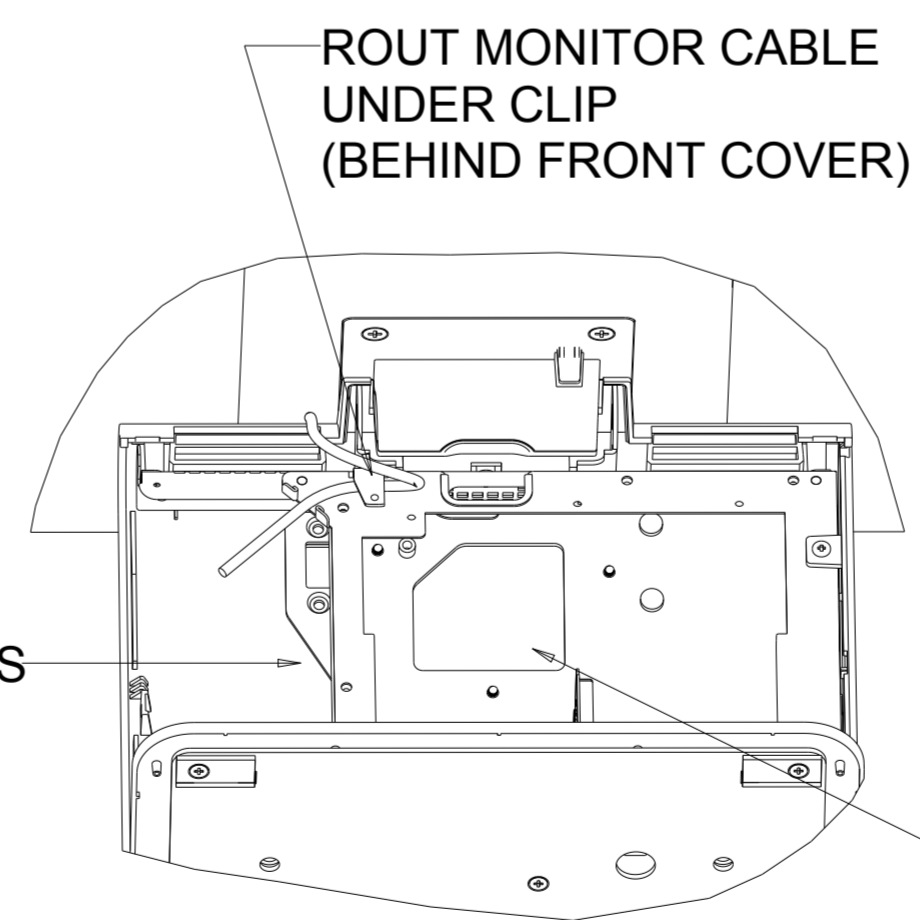
HOOK AND PIN
FACE DOWN

STEP 1



ROUT MONITOR CABLE
TO FRONT OF UNIT

STEP 2

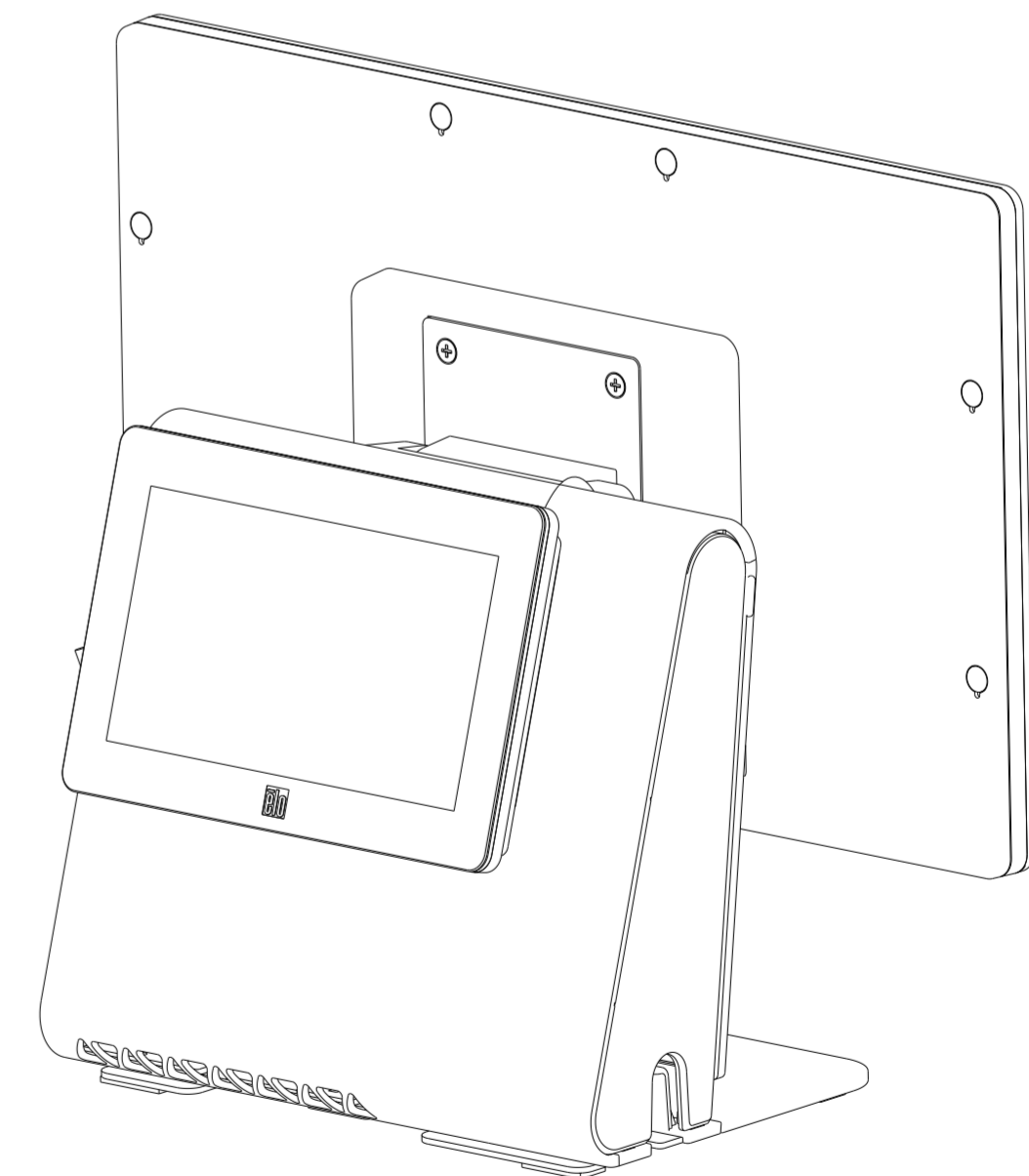


ROUT MONITOR CABLE
UNDER CLIP
(BEHIND FRONT COVER)

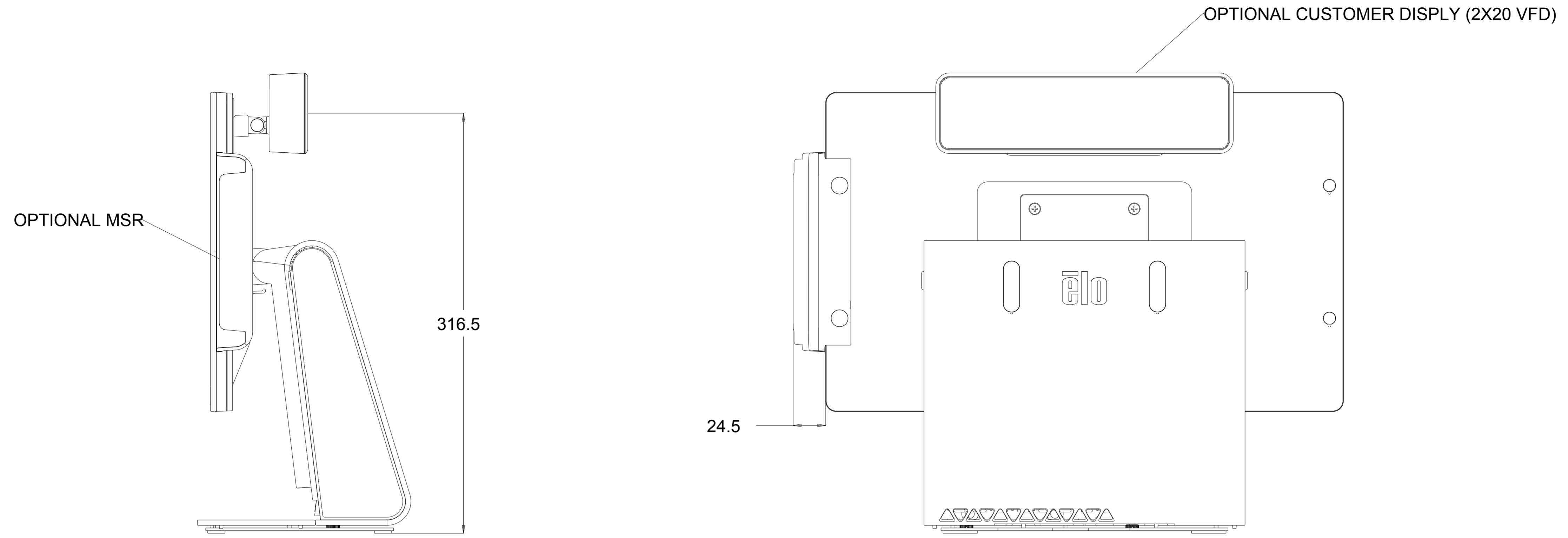
I/O CONNECTORS

SHOWN WITH FRONT
COVER REMOVED

STEP 3



ACCESSORY MOUNTING DETAILS:



ACCESSORY CABLE ROUTING DETAILS:

