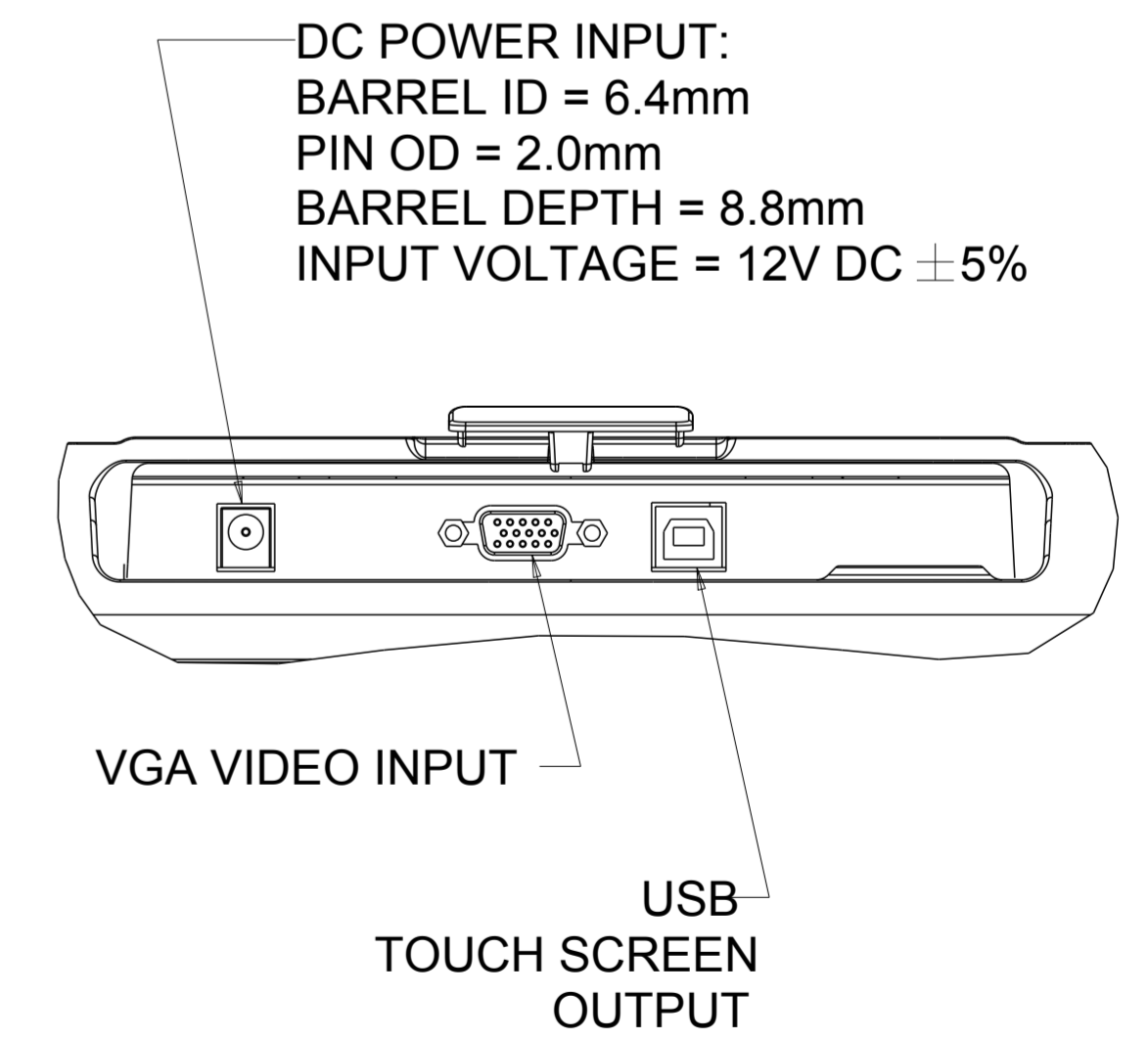
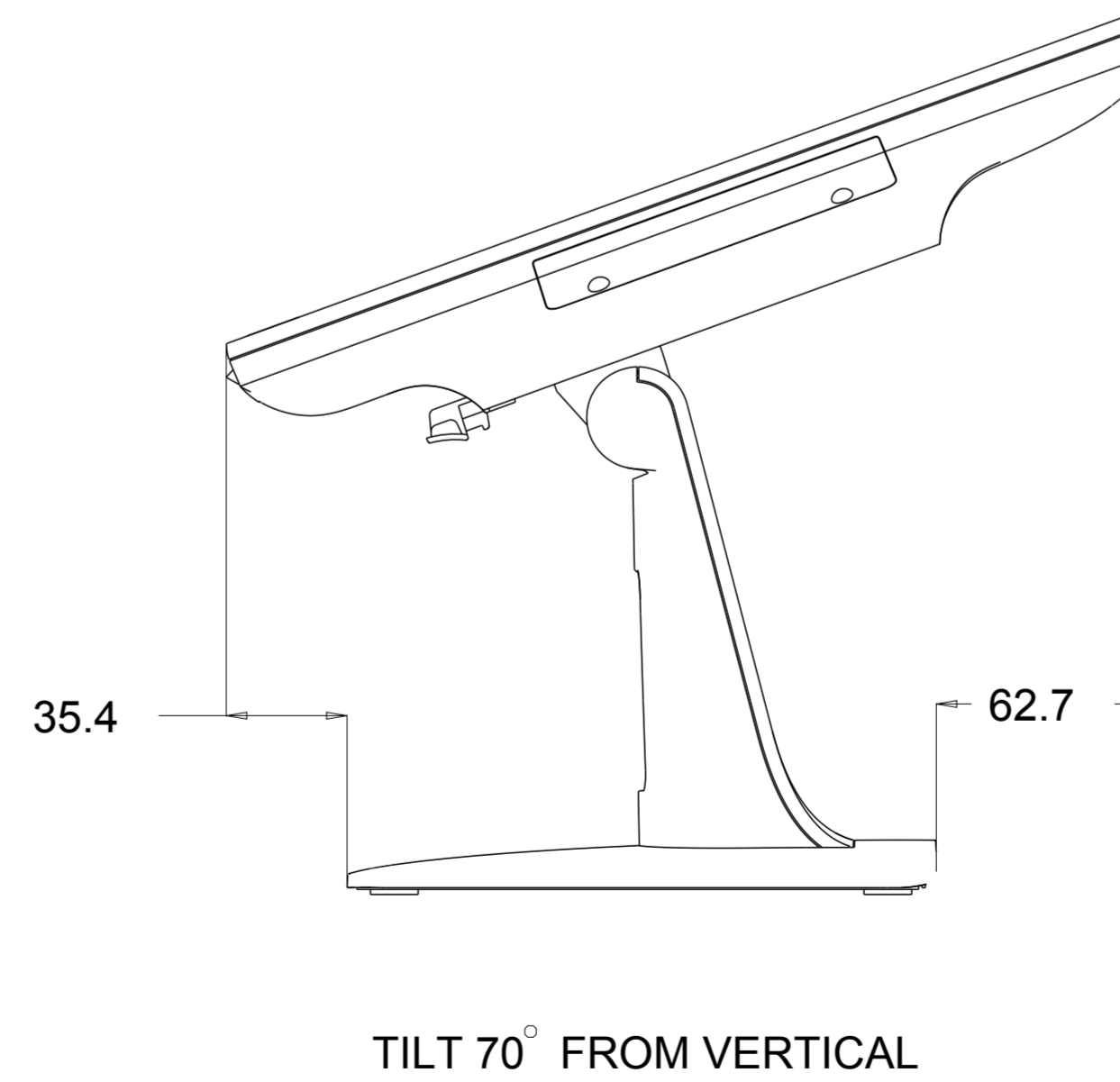
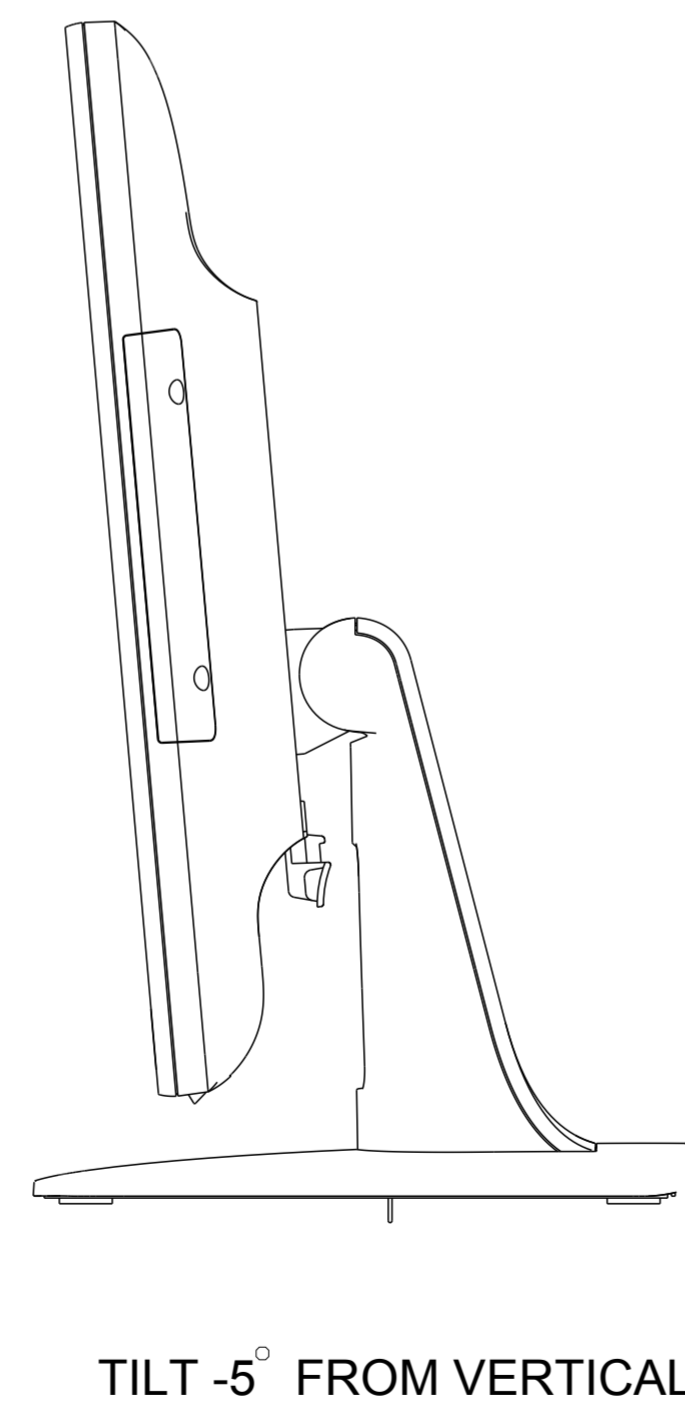
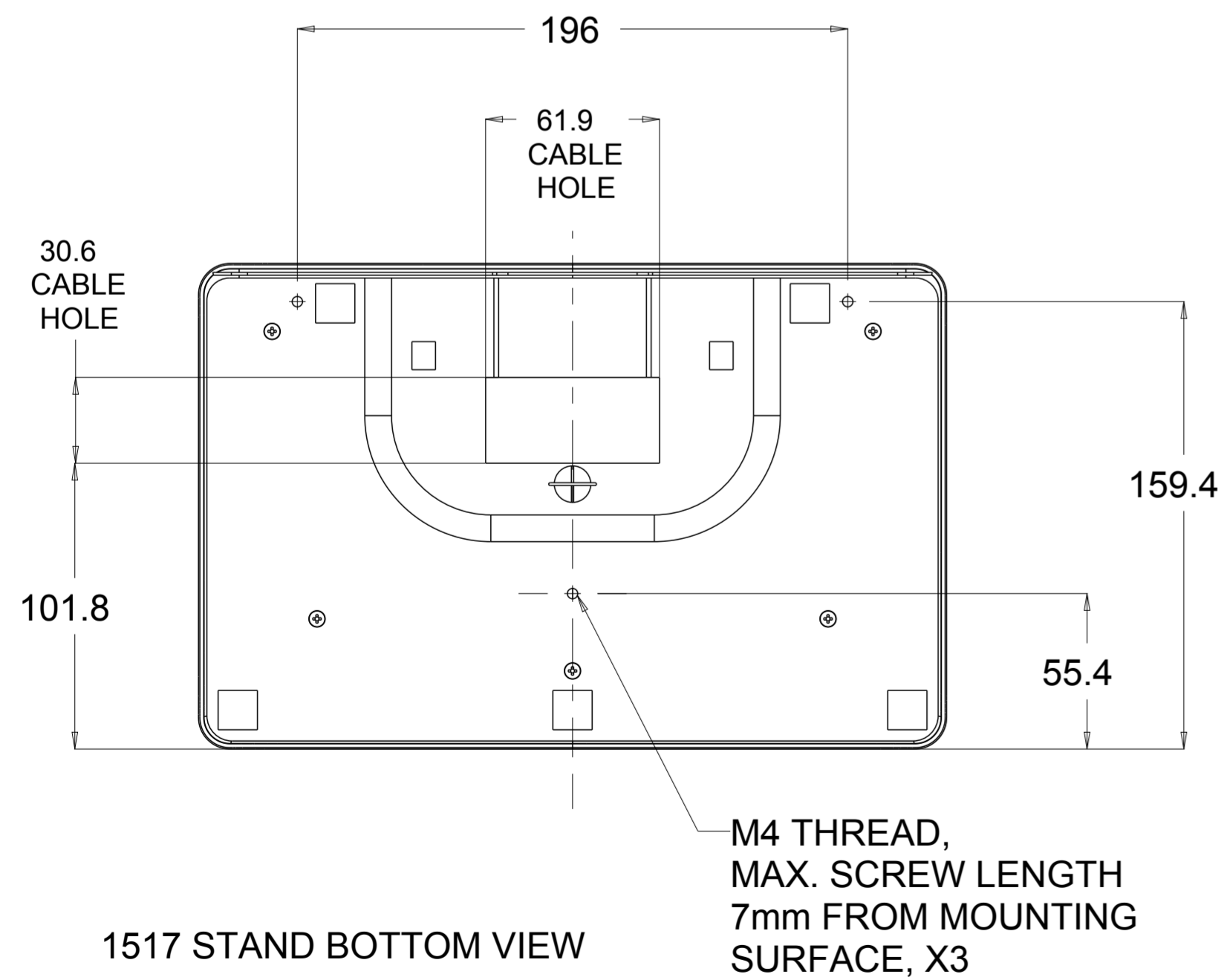
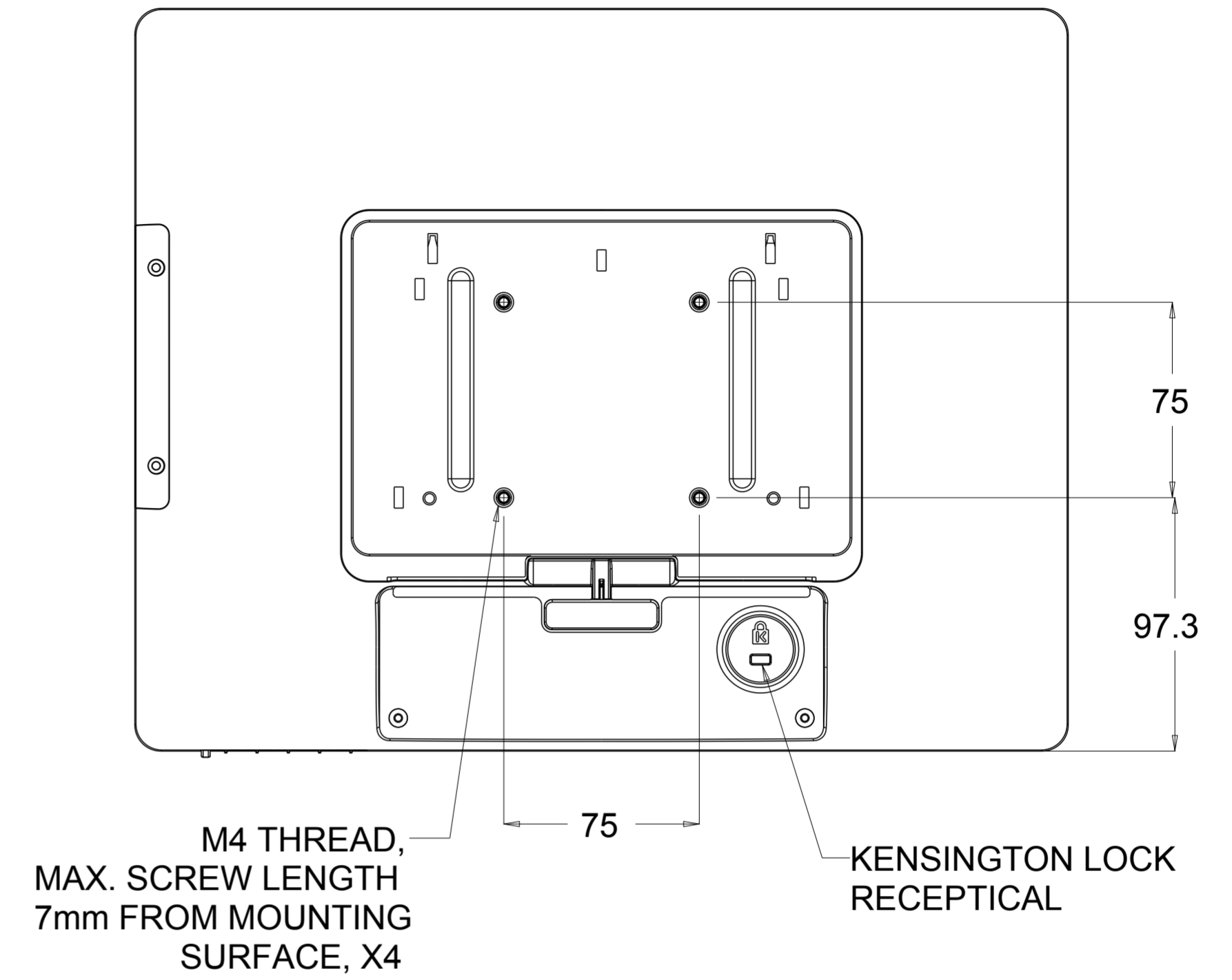
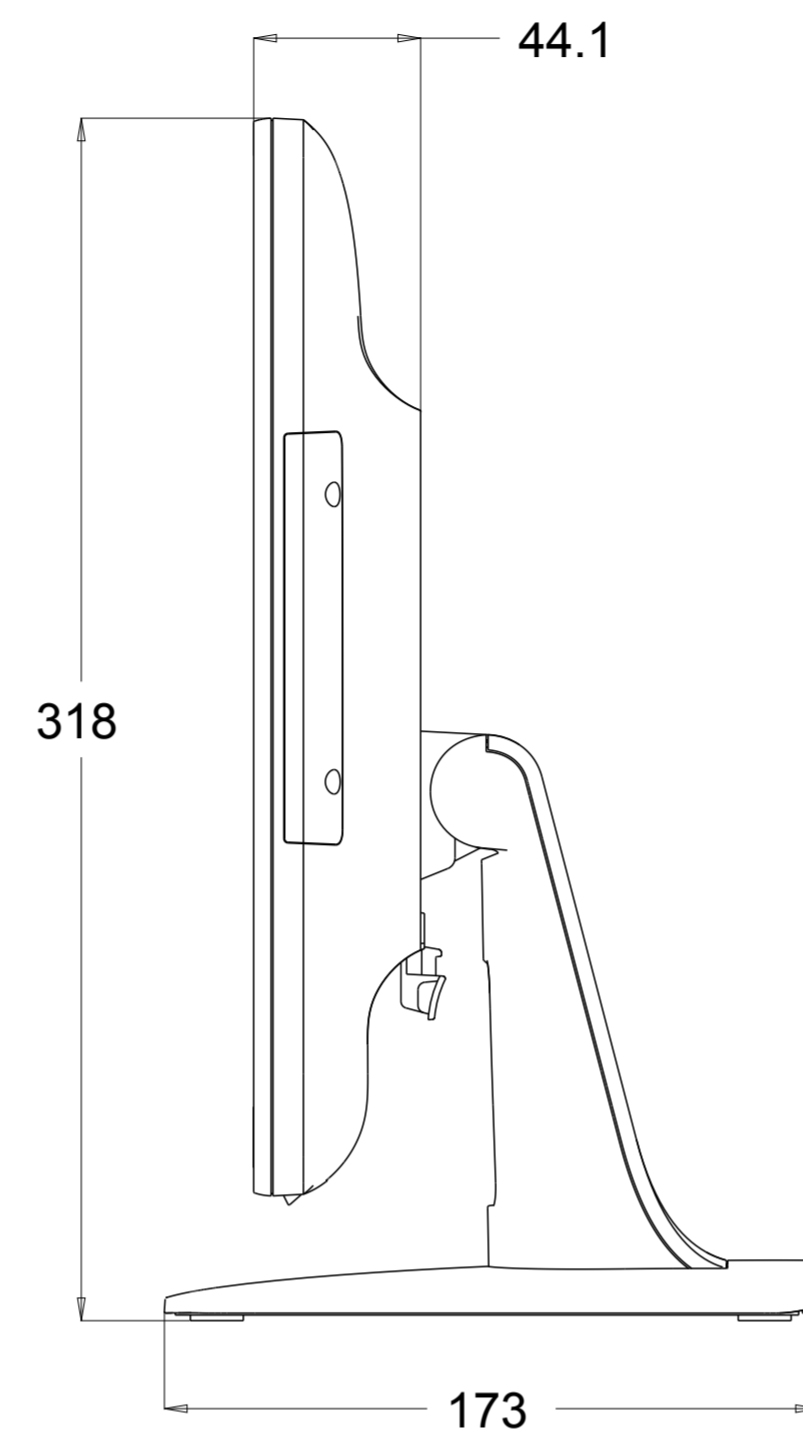
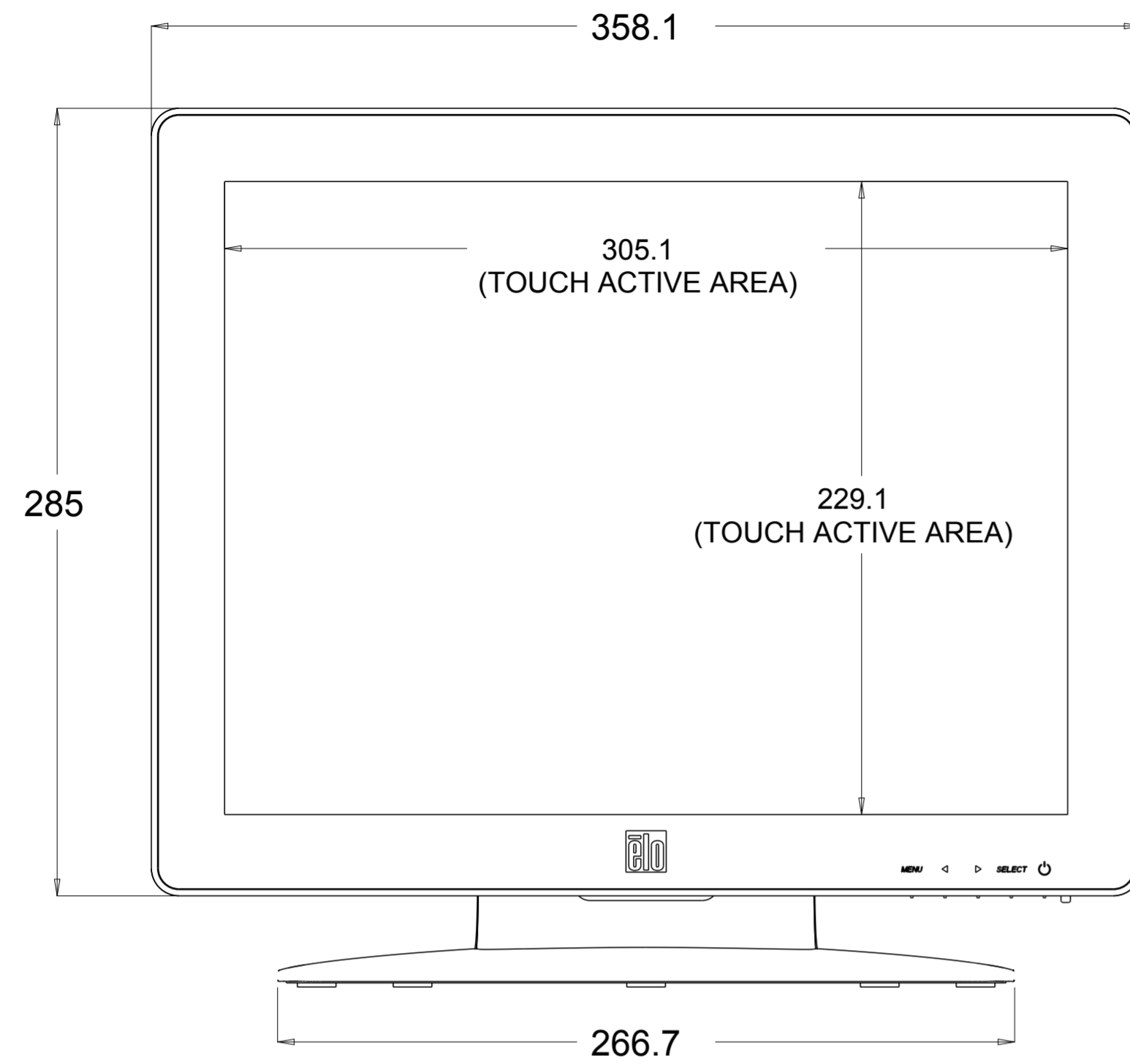
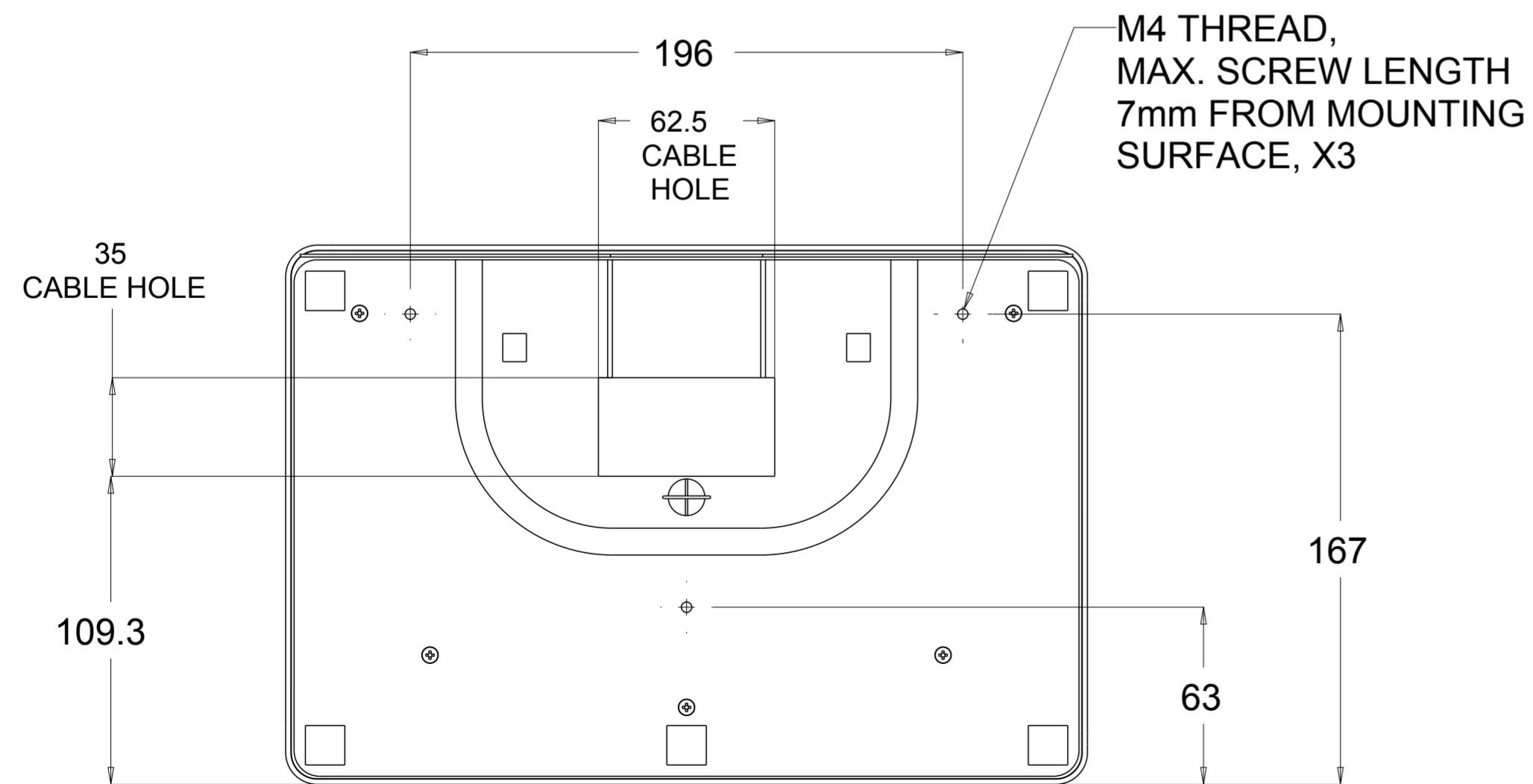
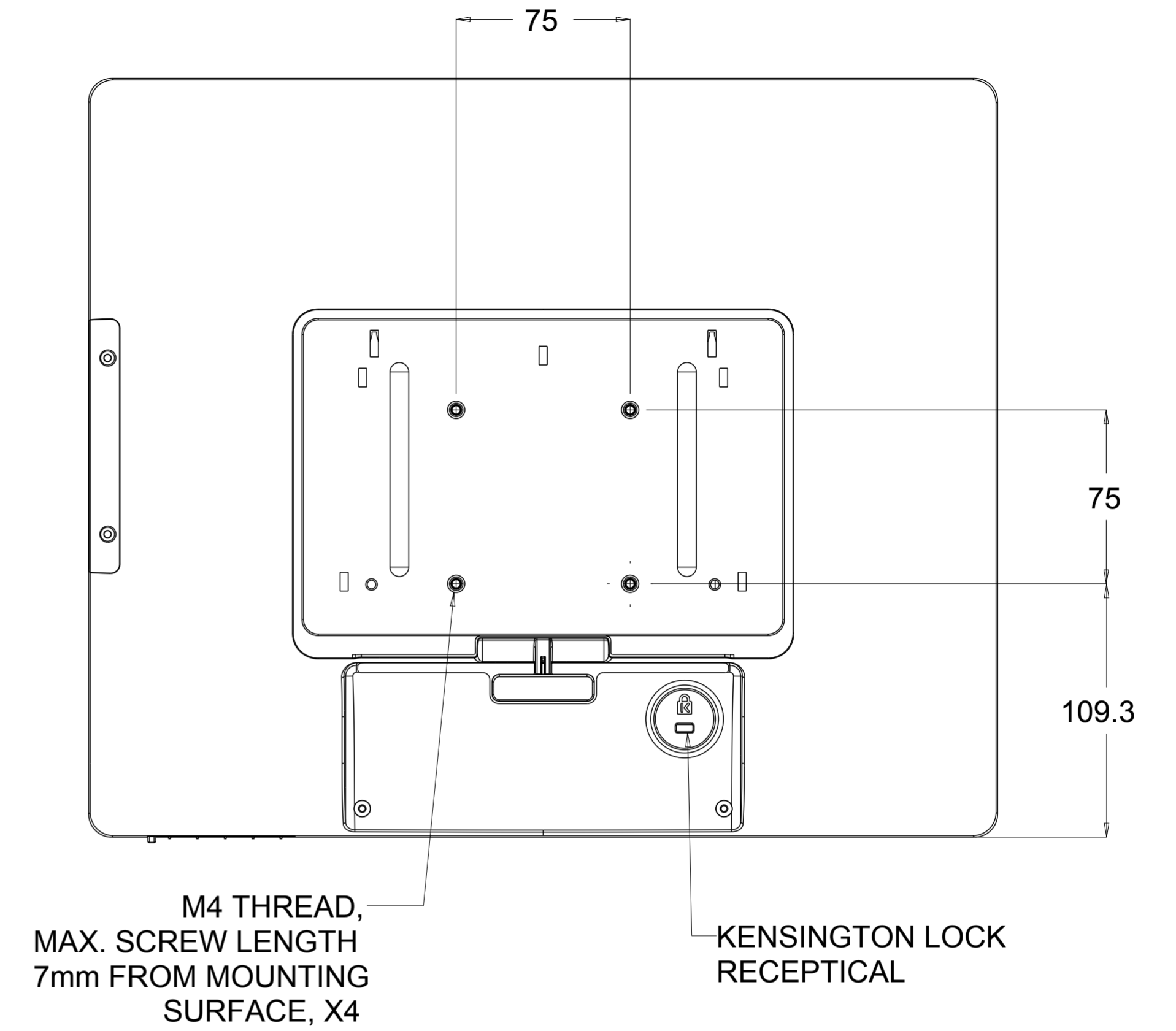
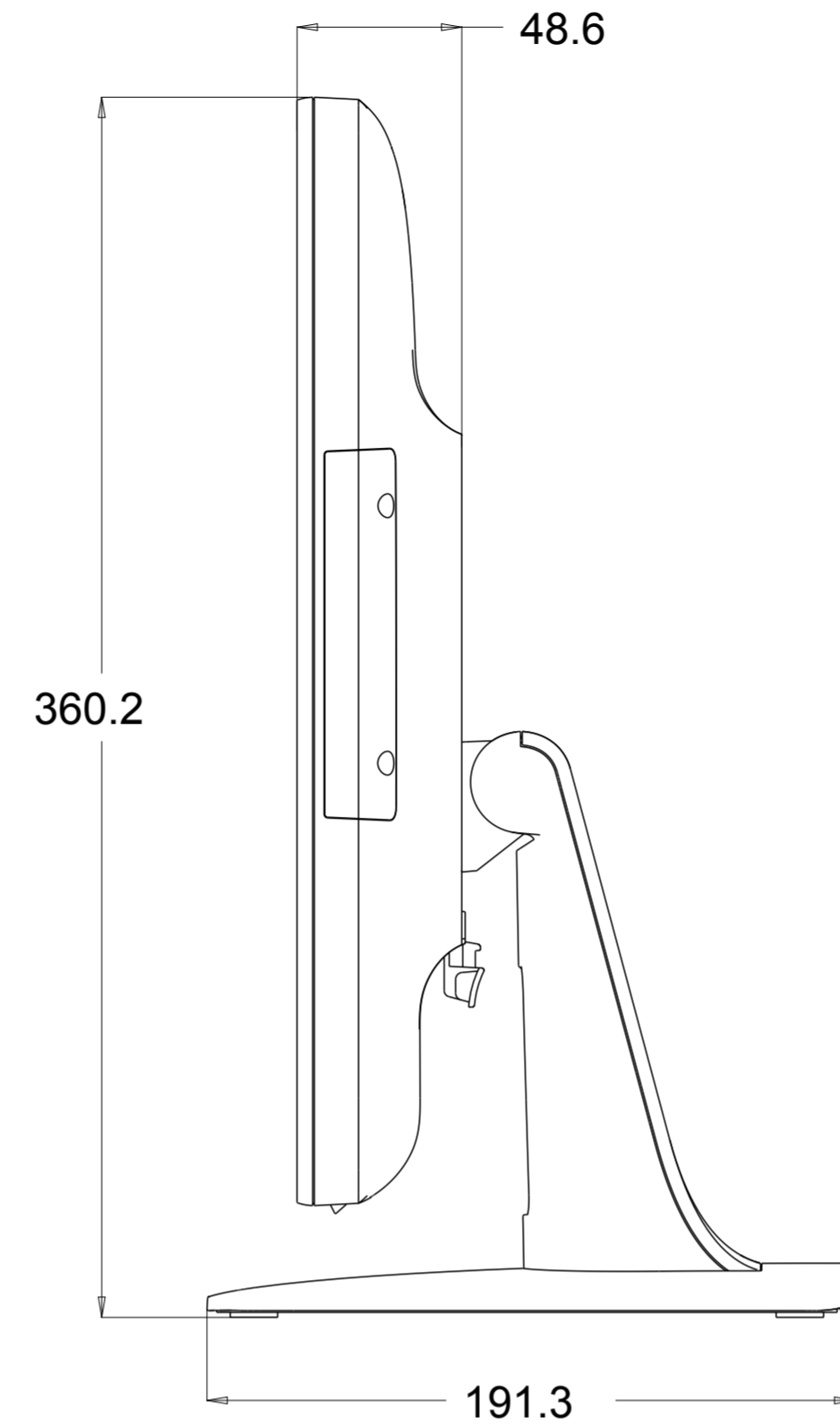
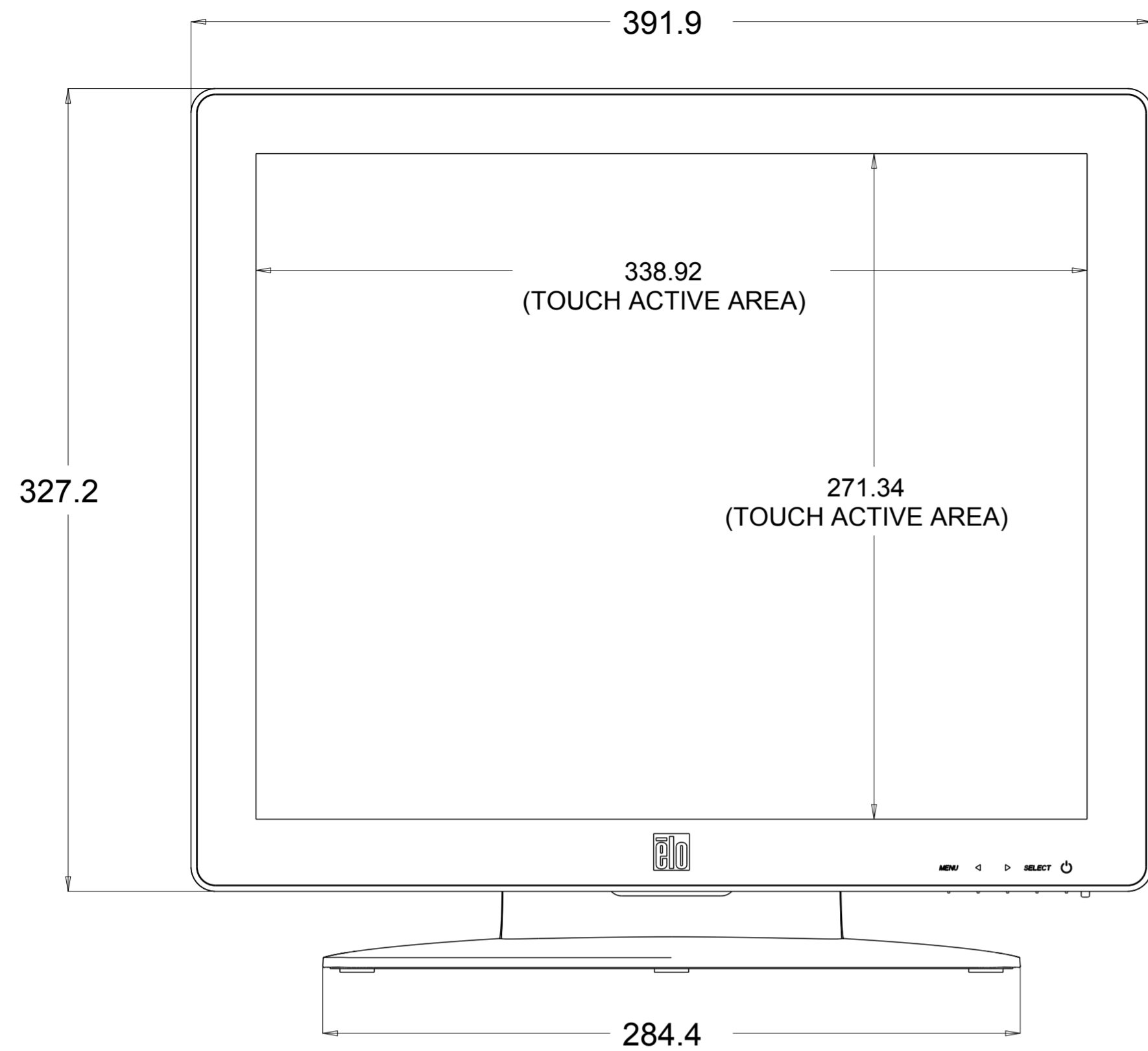


DIMENSIONAL DRAWING, 1517L/1717L

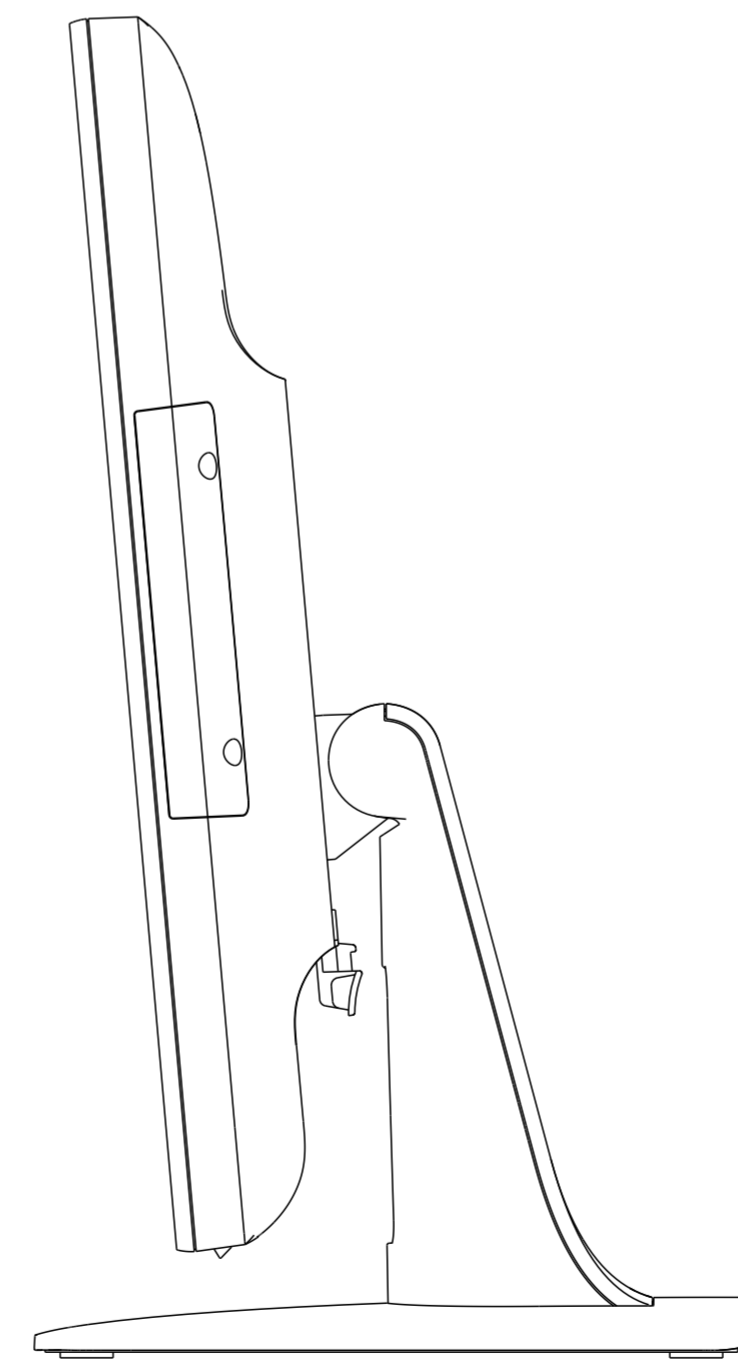
SEE PG. 2 FOR 1717



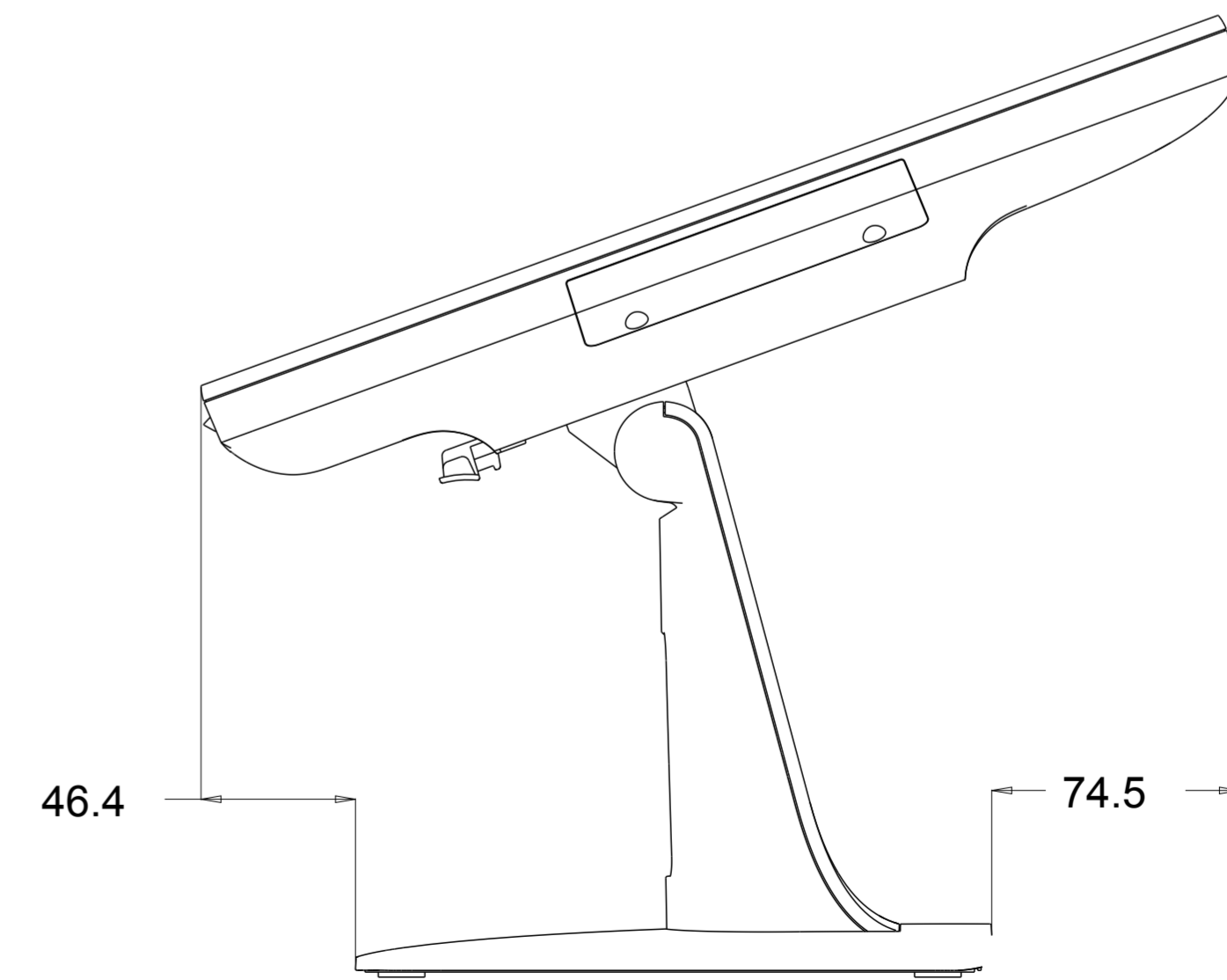
DIMENSIONAL DRAWING, 1517L/1717L



1715 STAND BOTOM VIEW



TILT -5° FROM VERTICAL



TILT 70° FROM VERTICAL