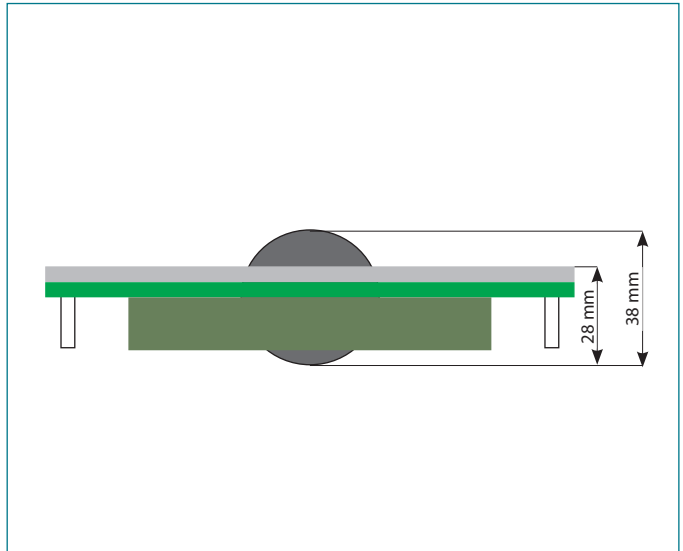


### TKH-TB38b-MODUL



### PRODUCT FEATURES

- Trackball built-in panel for industrial environment
- Integrated 38 mm trackball
- Resistant to dirt, dust and liquid (IP65)

### SPECIFICATION

Number of keys:	2
Keyswitch technology:	gold plated domes
Operating force:	3,0 N
Switch travel:	0.6 mm
Protection level:	IP65 (stat.); IP54 (dyn.)
Switching cycles:	approx. 1 mill. (per key)
Mounting type:	front panel with threaded bolts
Front panel material:	FR4 (epoxyd resin)
Interfaces:	PS/2; USB
USB compatibility:	compliant with USB 1.1
Operating temperature:	0 °C to +65 °C
Storage temperature:	0 °C to +80 °C

Dimensions:	135 x 110 x 38 mm
Weight:	260 g

### SPECIFICATION TRACKBALL

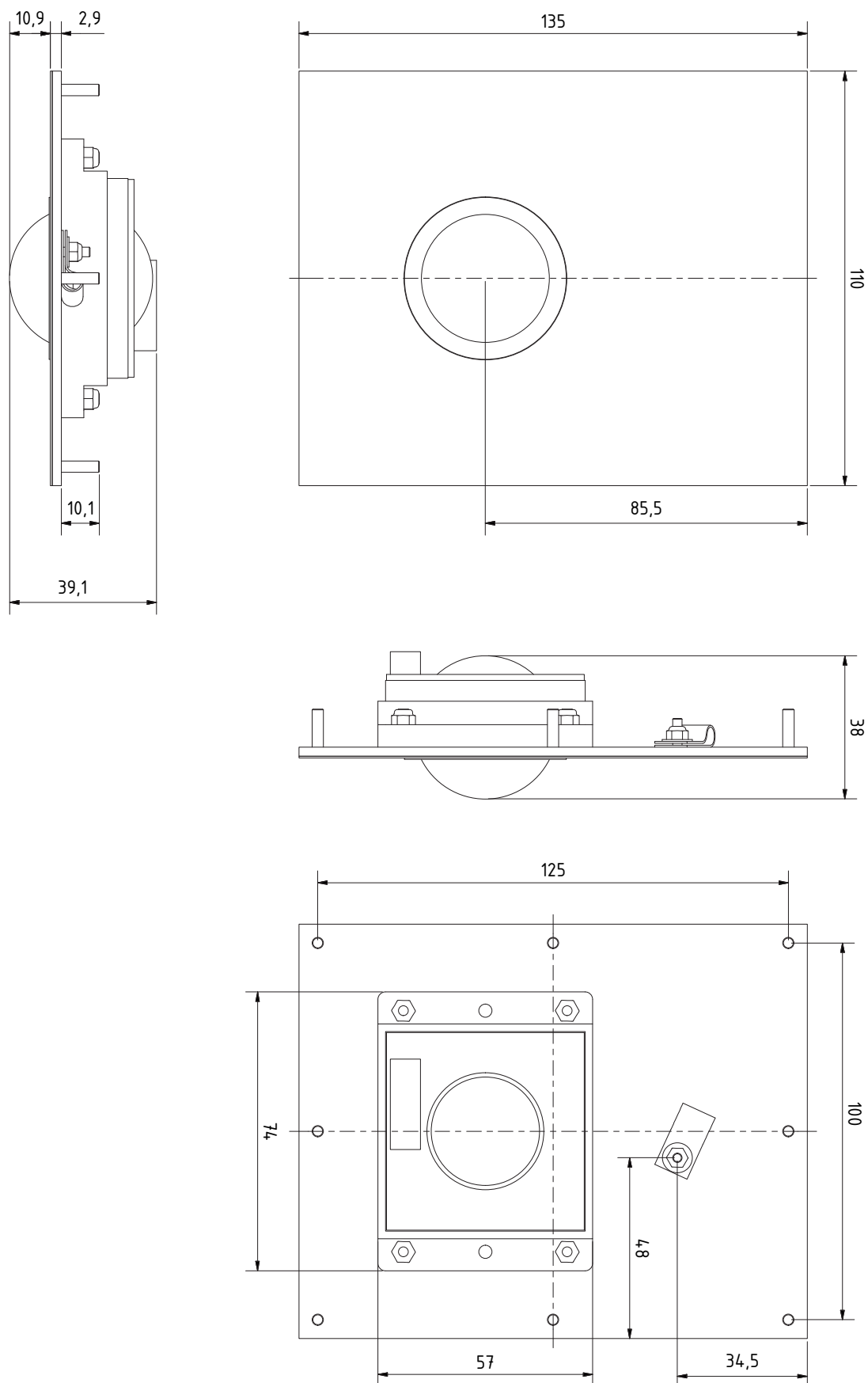
Material:	phenolic
Operating principle :	mechanical
Actuation force:	50 g
Lifetime:	2 mill. ball revolutions
Diameter:	38 mm

Cat.No.	Product description	Interface
KH02006	TKH-TB38b-MODUL-USB	USB
KH02005	TKH-TB38b-MODUL-PS/2	PS/2

Other language versions/interfaces/configurations available on request

Subject to modifications and errors!

### TECHNICAL DRAWING (in mm)



Subject to modifications and errors!

GETT Gerätetechnik GmbH

Mittlerer Ring 1 | 08233 Treuen | Germany  
 Tel: +49 37468 660-0  
 Fax: +49 37468 660-66  
 E-Mail: info@gett.de  
 Internet: www.gett.de

Gett North America LLC

E-Mail: info@gett-na.com  
 Internet: www.gett-na.com

Gett Asia Ltd.

E-Mail: info@gett-asia.com  
 Internet: www.gett-asia.com

**gett.de**  
**gett-group.com**