

TKH-MOUSE-SCROLL-IP68-BLACK-LASER  
**INDUMOUSE**



TKH-MOUSE-SCROLL-IP68-GREY-LASER  
**INDUMOUSE**



### PRODUCT FEATURES

- Medical grade mouse with plastic bottom plate and laser sensor
- Ergonomic shape with two mousebuttons and three-button scroll function
- Resolution adjustable in four levels from 400 to 1600 cpi
- Comfortable touch and operation
- Due to the symmetric shape it's suitable for right-hand and also left-hand operation
- Completely water and dust proof
- Easy to clean and to disinfect

### SPECIFICATION

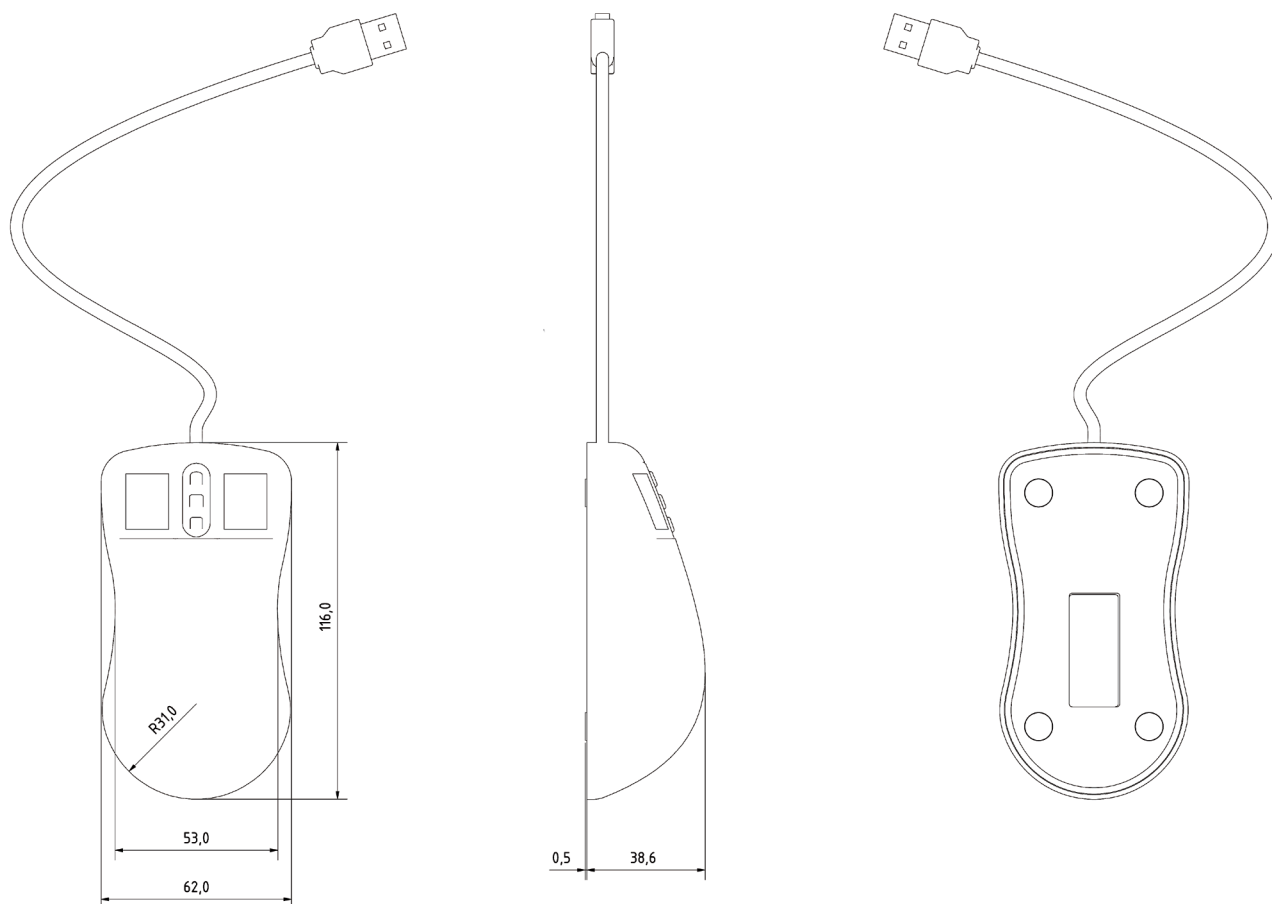
Number keys:	2 mousebuttons, 3 scrollbuttons	Interface:	USB
Keyswitch technology:	short travel keys	USB compatibility:	compatible with USB 2.0
Operating force:	1.5 N	Operating temperature:	-25 °C to +70 °C
Switch travel:	0.3 mm	Storage temperature:	-25 °C to +80 °C
Switching cycles:	approx. 3 mill. operations	Scrollfunction:	3 scrollbuttons
Protection level (max):	IP68	Weight:	160 g
Operating principle:	laser	Cable length:	approx. 2 m
Resolution:	400, 800, 1200 oder 1600 cpi (adjustable)	Dimensions:	116.0 x 62.0 x 38.6 mm
Housing:	silicone		
Bottom panel:	plastic		
Housing colour:	grey, black		

Art.No.	Product description	Colour
KH18218	TKH-MOUSE-SCROLL-IP68-GREY-LASER-USB	grey
KH19216	TKH-MOUSE-SCROLL-IP68-BLACK-LASER-USB	black

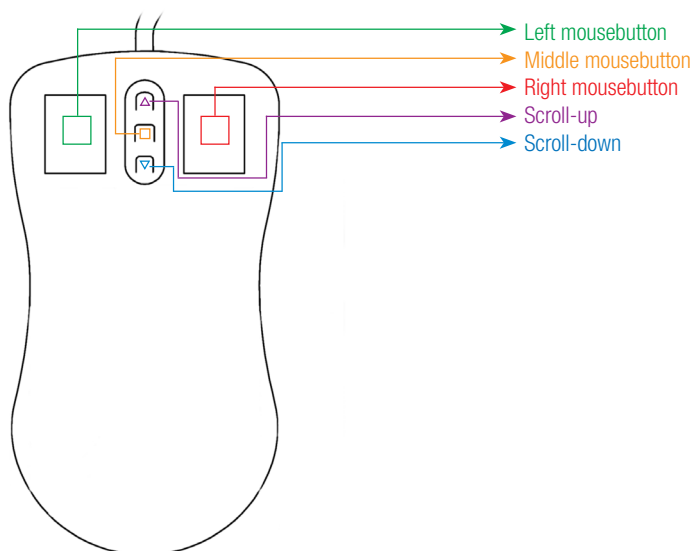
Other Layouts, configurations and interfaces on request.

Subject to modifications and errors

### TECHNICAL DRAWING



#### Mouse functions when using standard Windows® drivers



#### Resolution adjustment:

Resolution is adjustable in 4 levels: 400, 800, 1200 and 1600 cpi.

Keep left and right mousebutton pressed at once and adjust the resolution with the scrollbuttons:

- \* Scroll-up button: higher resolution
- \* Scroll-down button: lower resolution