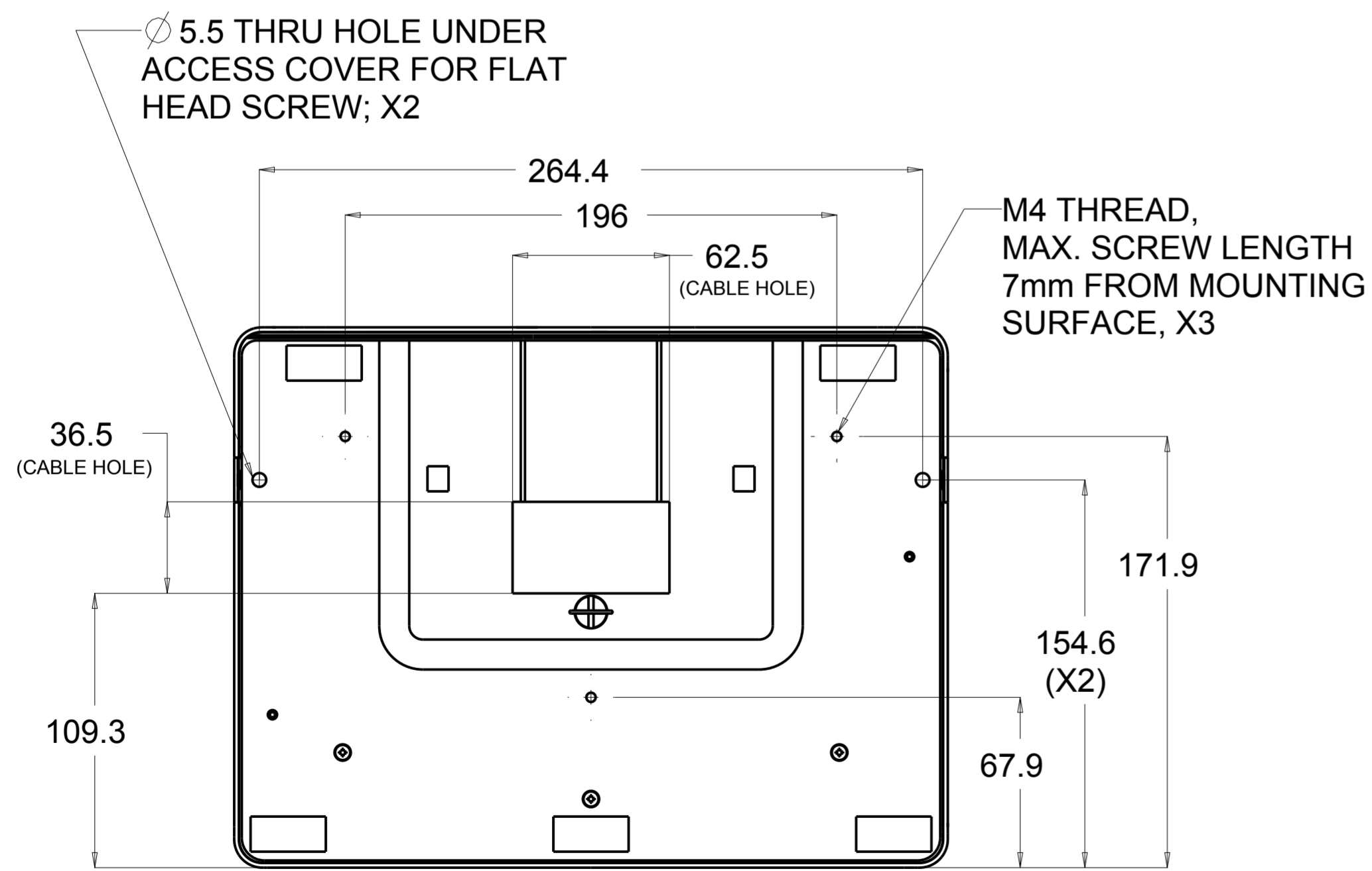
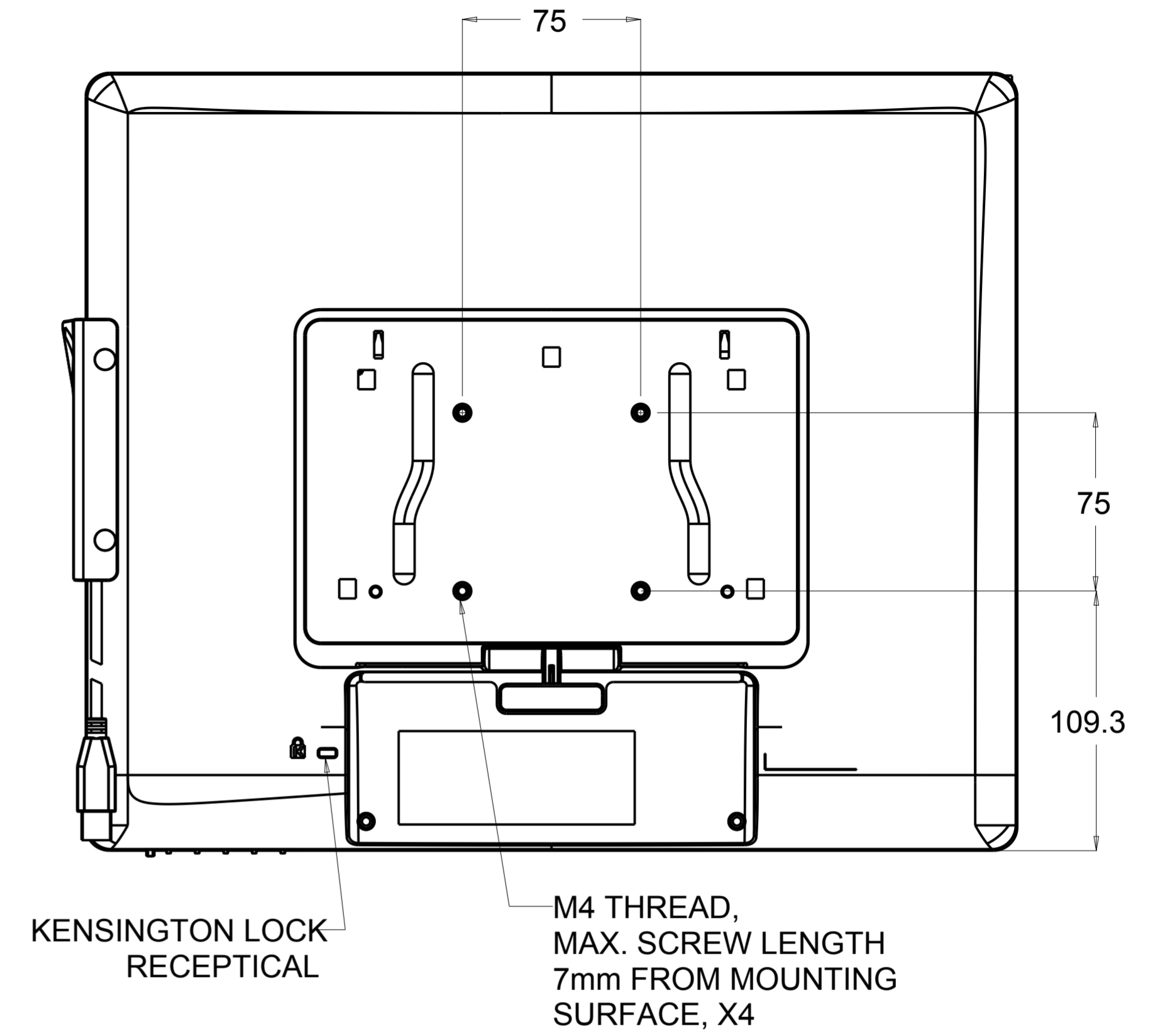
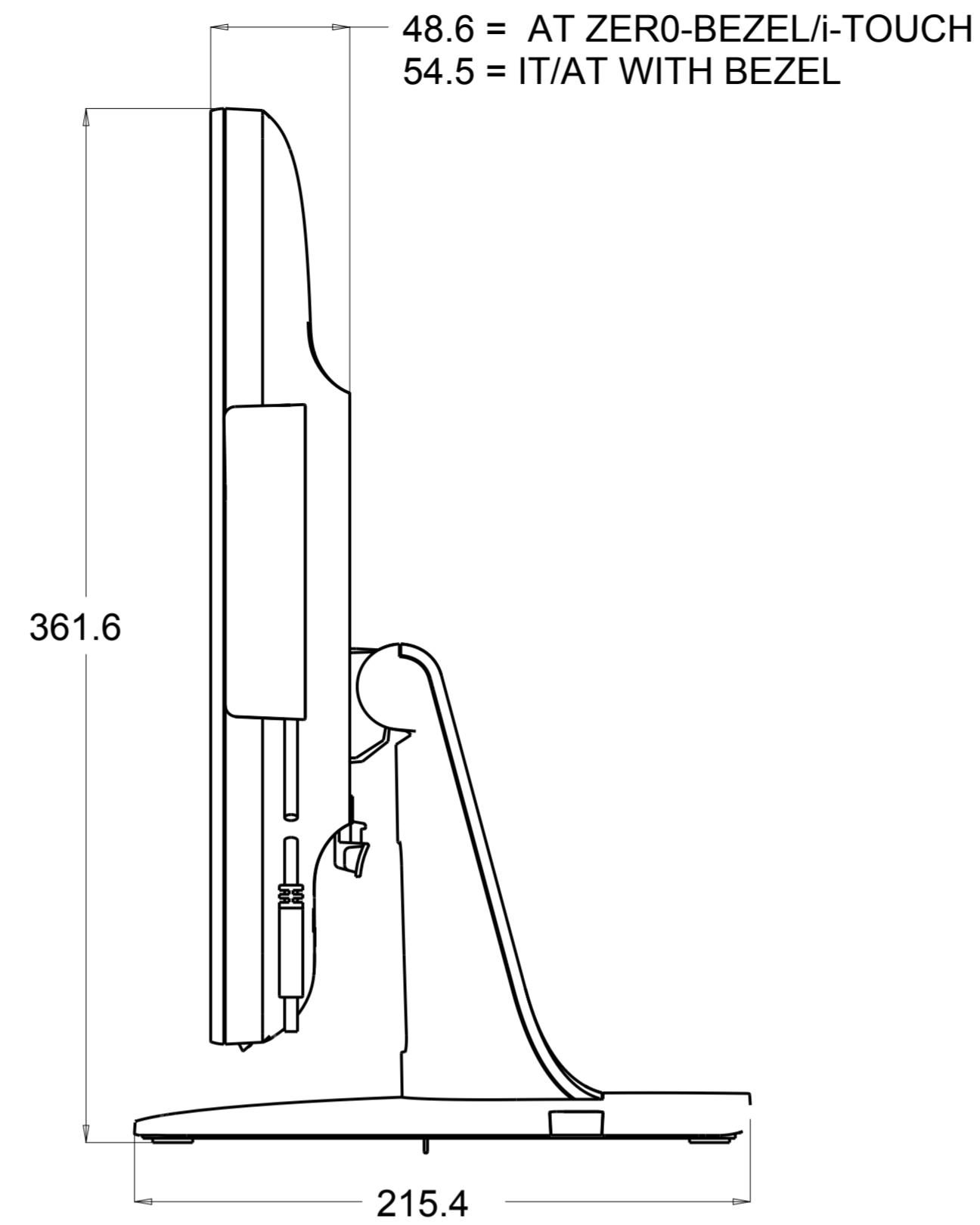
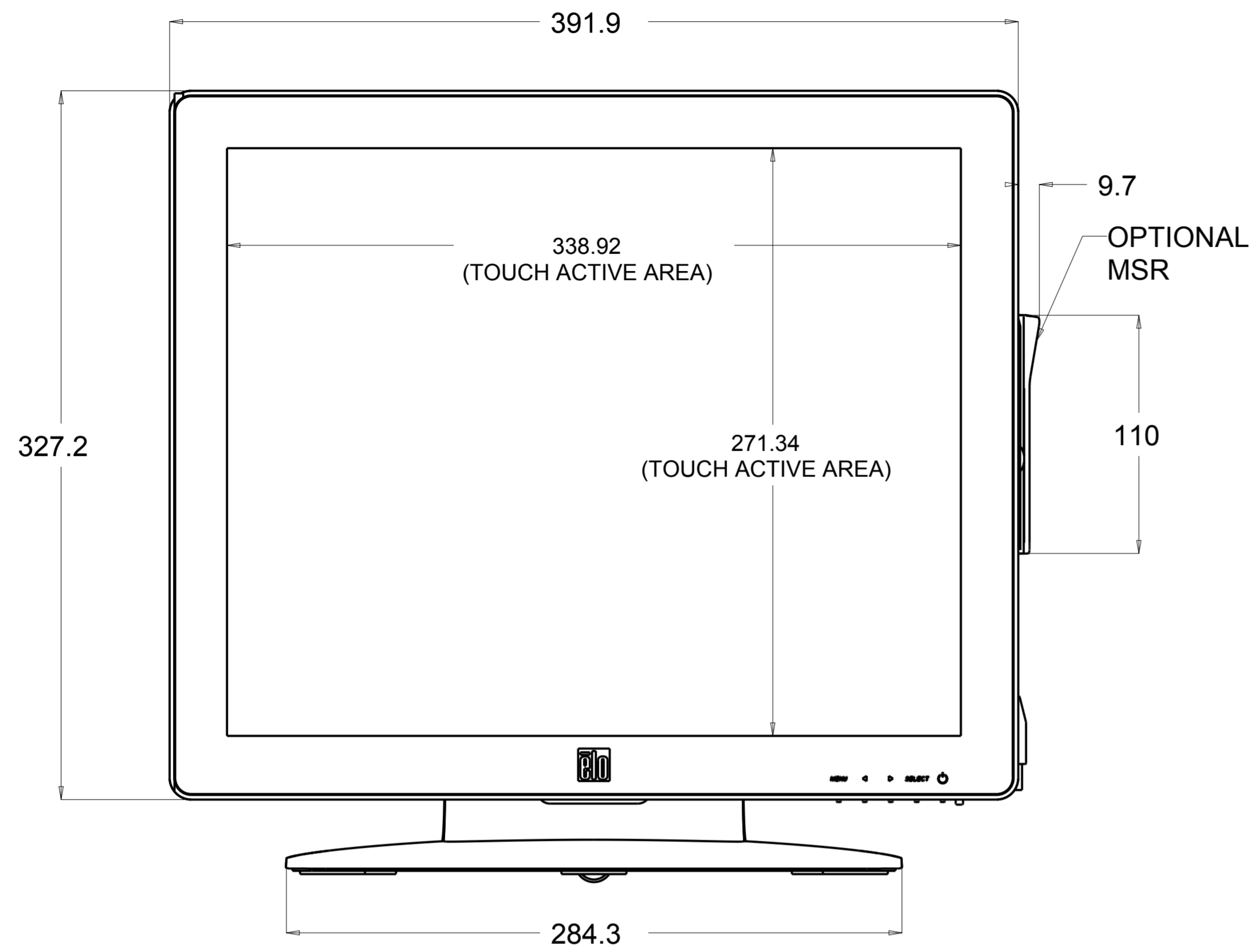
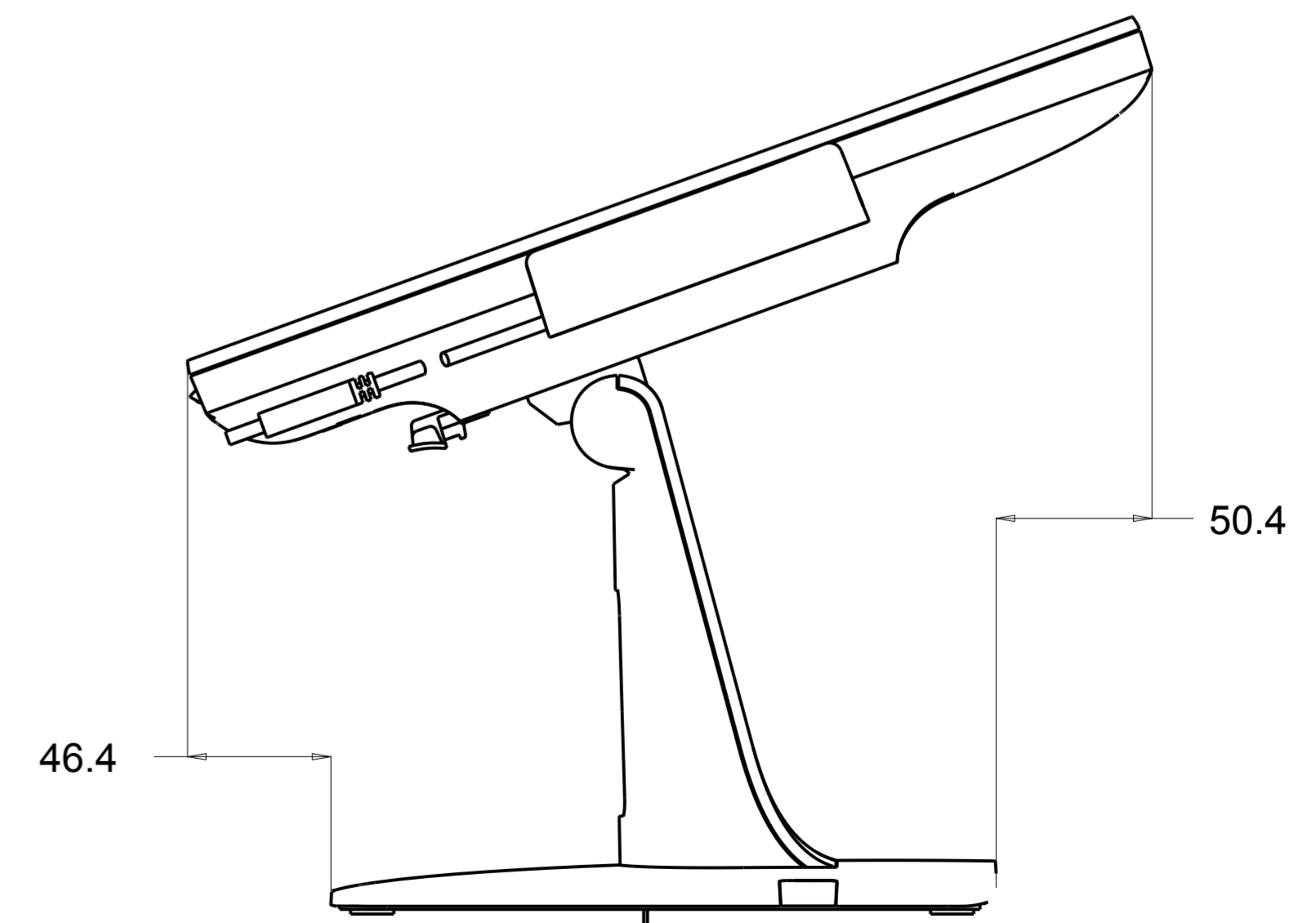
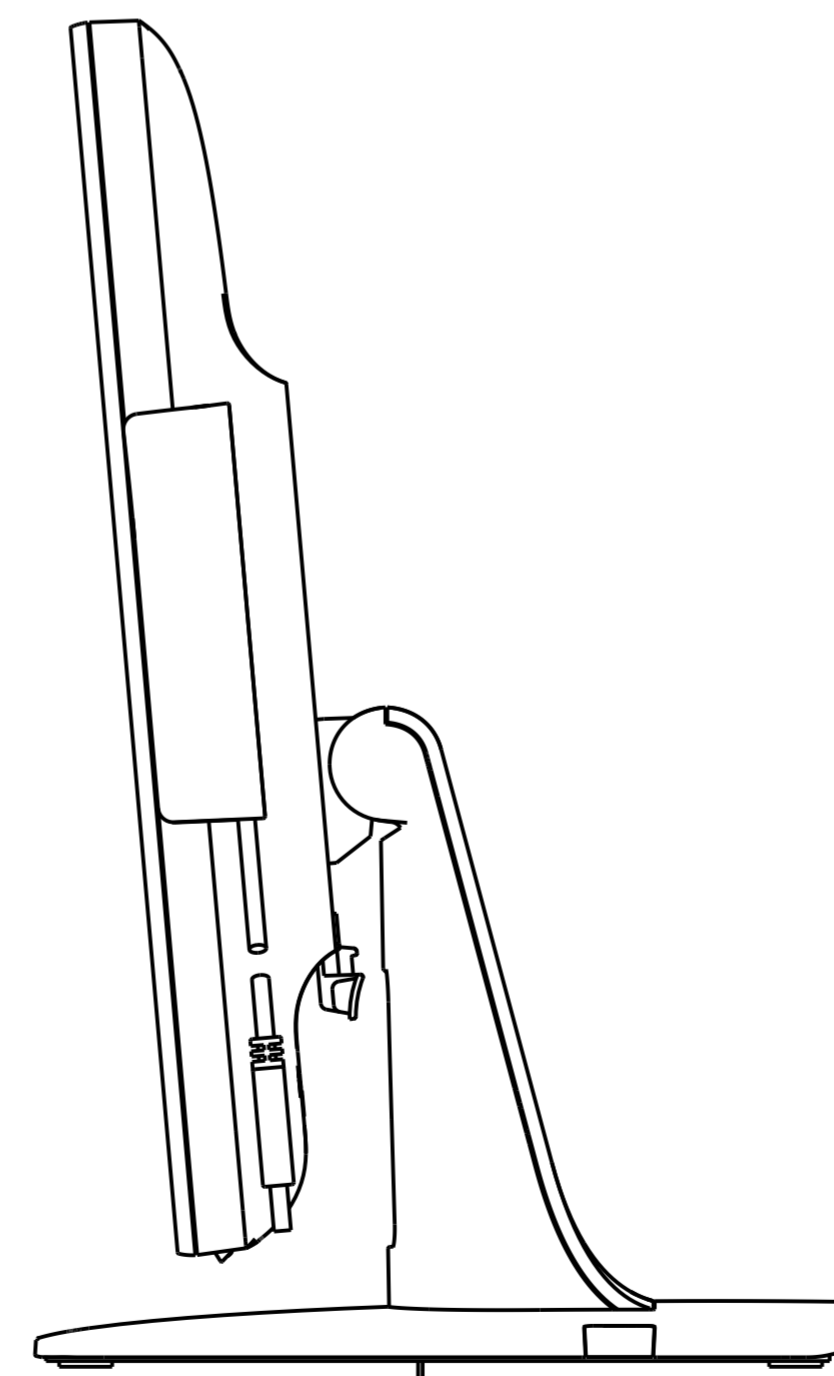


DIMENSIONAL DRAWING, 1717L



1715 STAND BOTOM VIEW



DIMENSIONS ARE IN MILLIMETERS

SHEET 2 OF 3



MS601505  
DATE: 10/04/13  
REV: A